



## **IMPORTANT**



Be Sure  
to Read this  
Manual  
Before Use



# **Operation Manual**

# WE ARE HERE TO ASSIST For parts and service



Have Questions? Contact us!

**UNIS SERVICE CENTER**  
Tel: 972-241-4263  
Email: [service@unispartsandservice.com](mailto:service@unispartsandservice.com)

When contacting Service, you will need the following information  
and the name of your authorized distributor.

Suitable for Indoor Use Only	
NAME: To Tha Net JR. GMP	MAX POWER: 230W
MODEL: C-580	MIN POWER: 200W
VOLTAGE: AC 110V ~	FREQUENCY: 50/60Hz
S/N:	DATE:
Guangdong UNIS Technology Co.,Ltd.	

Suitable for Indoor Use Only	
NAME: To Tha Net JR. GMP	MAX POWER: 230W
MODEL: C-580	MIN POWER: 200W
VOLTAGE: AC220V-240V~	FREQUENCY: 50/60Hz
S/N:	DATE:
Guangdong UNIS Technology Co.,Ltd.	

# CONTENT

**IMPORTANT SAFETY INSTRUCTIONS.....3**

**1. SPECIFICATIONS..... 5**

**2. CONTENTS OF THE ACCESSORY KIT..... 7**

**3. PART NAME..... 8**

**4. SET UP & INSTALLATION..... 9**

**5. HOW TO PLAY..... 12**

**6. GAME OPTION..... 14**

**7. TROUBLESHOOTING..... 17**

**8. MAINTENANCE & INSPECTION..... 20**

**9. OVERALL CONSTRUCTION..... 23**

**10. WIRING DIAGRAM..... 41**

Thank you for purchasing **To Tha Net JR.** We hope you enjoy the product.

This manual contains valuable information about how to operate and maintain your game machine properly and safely. It is intended for the owner and/or personnel in charge of product operation. Carefully read and understand the instructions.

If you need any help during installation and setup please utilize this manual and troubleshooting guide. If the product fails to function properly, *non-technical personnel should under no circumstance attempt to service the machine.* Contact your distributor or manufacturer for help.

Before use, please read **IMPORTANT SAFETY INSTRUCTIONS.**

## IMPORTANT SAFETY INSTRUCTIONS

**To ensure the safe usage of this product, carefully read and understand these instructions before operating your game.**

**Save these instructions for future reference.**

Use this product only as described in this manual. Other uses not recommended may cause fire, electric shock or personal injury. Unplug the game from the outlet when not in use, when moving from one location to another, and before cleaning/servicing.

Explanations which require special attention are indicated by signs of warning. Depending on the potential hazardous degree, the terms: **NOTE**, **NOTICE**, and **WARNING** are used.

**NOTE:** A NOTE indicates useful hints or information about product usage.

**NOTICE:** A NOTICE indicates potential damage to product and how to avoid the problem.

**WARNING:** A WARNING indicates a potential for product damage or serious personal injury.

It is important to understand the meaning of the following HAZARD SIGNS before continuing:

### High Voltage and Shock Hazard:

High voltage can cause electric shock.  
Turn off/unplug power before servicing.



### High Temperature Hazard:

This part may cause scalding.  
Do not touch. Surface may be hot.



### No Touching Hazard:

This part may be hot or can cause electric shock.  
Do not touch.



Use the following safety guidelines to help ensure your own personal safety and to help protect your equipment and surrounding environment from potential damage.

**⚠️ This product is an indoor game machine. Do not install outdoors.**

Avoid installing in the following places to prevent fire, electric shock, injury and/or machine malfunctioning:

- Places subject to rain/moisture, or places subject to high humidity.
- Places subject to direct sunlight, or places subject to extremely hot or cold temperatures to ensure that it is used within the specified operating range.
- Places where inflammable gas may be present or in the vicinity of highly inflammable/volatile chemicals or items that can easily catch fire.
- On unstable or sloped surfaces. The machine may topple or cause unforeseen accidents.
- Vicinity of fire exits, fire extinguishers etc that may block/prevent safety measures.

**IMPORTANT NOTE:**

**ALL REPAIRS MUST BE DONE TO ORIGINAL MANUFACTURER SPECIFICATIONS. FAILURE TO DO SO VOID ALL WARRANTIES AND OPERATOR ASSUMES ALL RISKS.**

Note: The contents of this manual may be updated without notice.

# 1. SPECIFICATIONS

Rated power supply: AC110V~ 50/60Hz; AC220-240V~ 50/60Hz

Min. Power consumption: 200W

Max. Power consumption: 230W


Dimension: W32.13×D80.63×H103.00 in

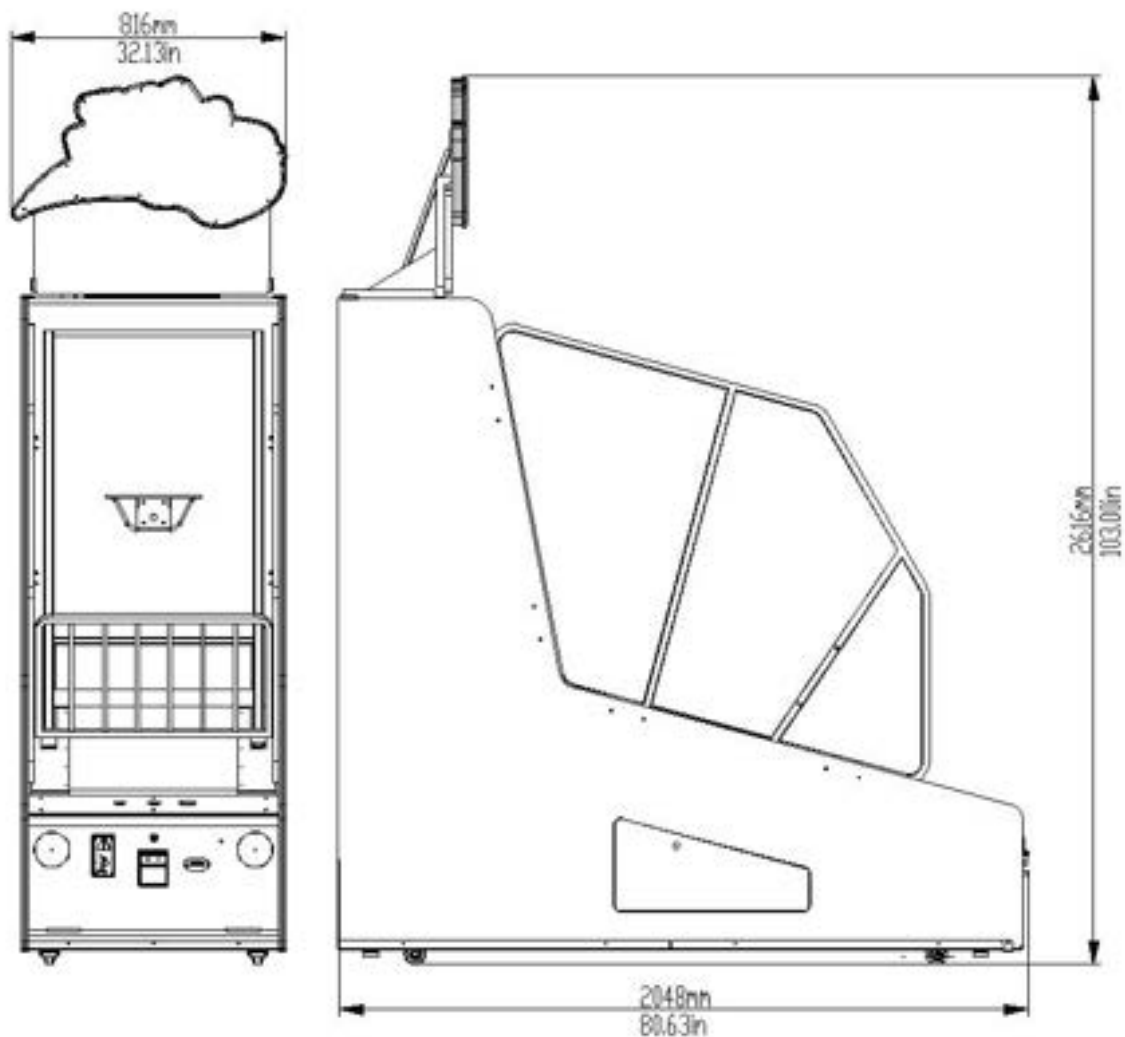
W816 ×D2048 ×H2616 mm

Weight: Approximately 474lb/215kg

Part No: T149

Model No: C-580

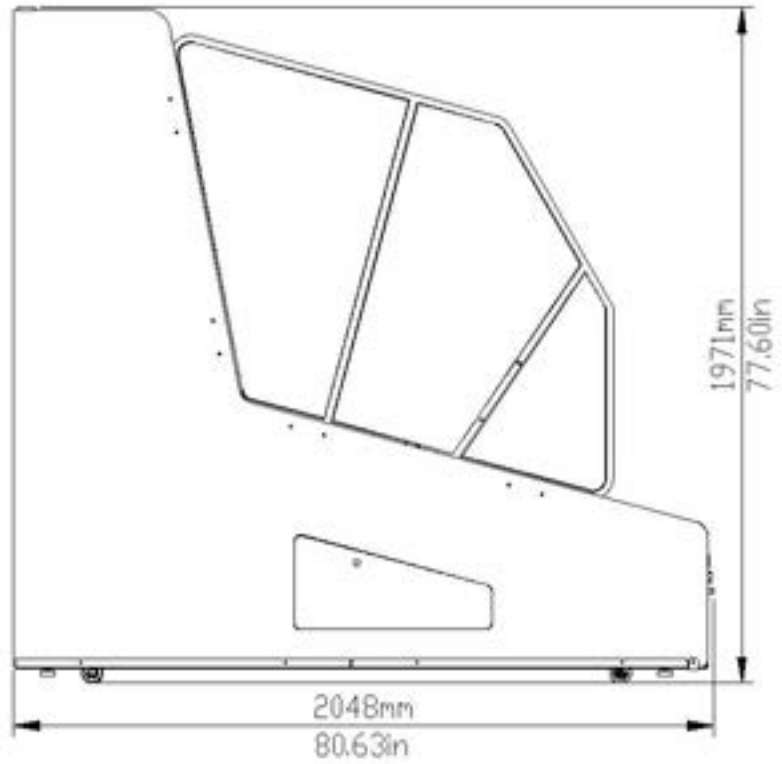
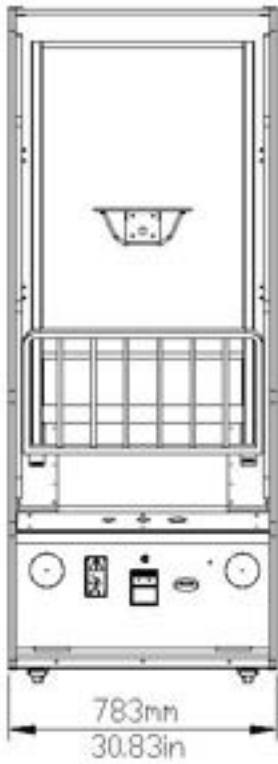
 **NOTICE:** After turning off the game, please wait at least 1 minute before restarting again.



**Note:** Game specifications are subject to change without notice.

Transport dimension: W30.83×D80.63×H77.60 in

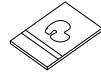







W783 ×D2048 ×H1971 mm



**Note:** Game specifications are subject to change without notice.

## 2. CONTENTS OF THE ACCESSORY KIT

Open the package and make sure all the items are included:

No.	Part No.	Name	SPEC	Picture	Qty
1	T149-801-000	Manual	GMP		1
2	T149-802-000	171 Key	171		2
3	T149-803-000	171B Key	171B		1
4	T149-804-000	Power cord	10A/250V-1.8M		1
5	T149-614-000	Ball	No.3		5
6	T149-414-000	Fuse	$\Phi 5 \times 20$ mm T5A 250VAC		1
7	T149-177-000	DBV blank plate	$\delta 1.5$ Black		1
8	T149-178-000	Coin mechanism blank plate	$\delta 1.5$ Black		1



### 3. PART NAME

#### Key Components



## 4. SET UP & INSTALLATION

### ⚠ NOTICE

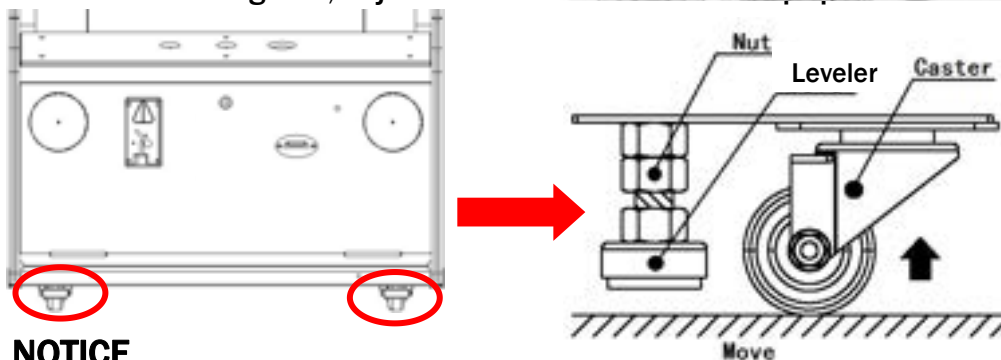
**We do not recommend using power tools as they may cause damage.**

⚠ **This product is an indoor game machine. Do not install outdoors.**

- Refer to IMPORTANT SAFETY INSTRUCTIONS (Pg. 3) for places to avoid.
- Place the unit on a dry level surface.
- Ventilation openings in the back of the unit must not be obstructed by objects or by wall.

### 4.1 Transporting the Game

If you need to move the game, adjust the levelers back to an “up” position.



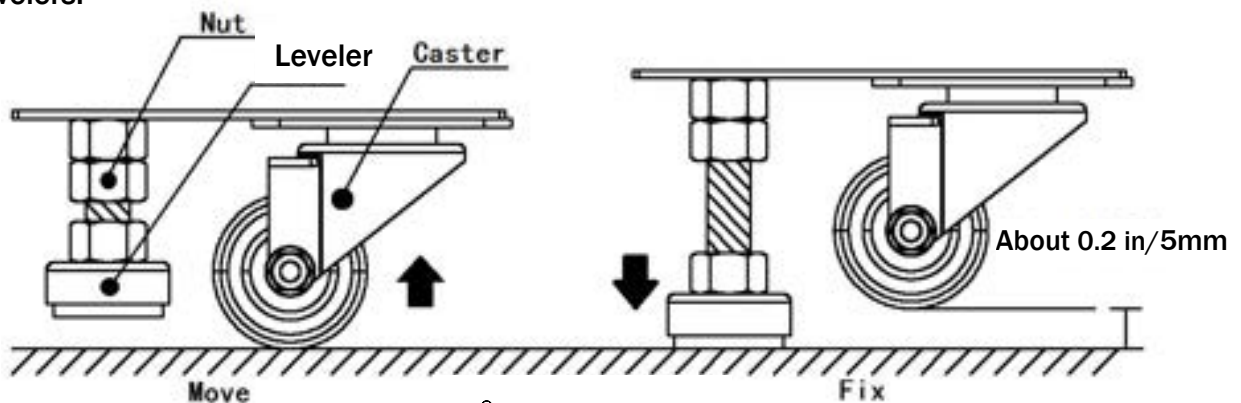
### ⚠ NOTICE

- Be careful not to damage the machine during transport.
- Always unplug the game before moving.
- Keep the machine in upright position during transport.
- For longer distance transport, package the game properly to prevent damages.

### 4.2 Level Adjustment

Install this game on a flat surface. If the game is installed on an unsuitable floor, it could cause game malfunction.

To secure the game, loosen the nut, utilize wrench to adjust the leveler down until it touches the floor, lifting the casters off the ground by 0.2 in/5mm. Repeat the same for all levelers.



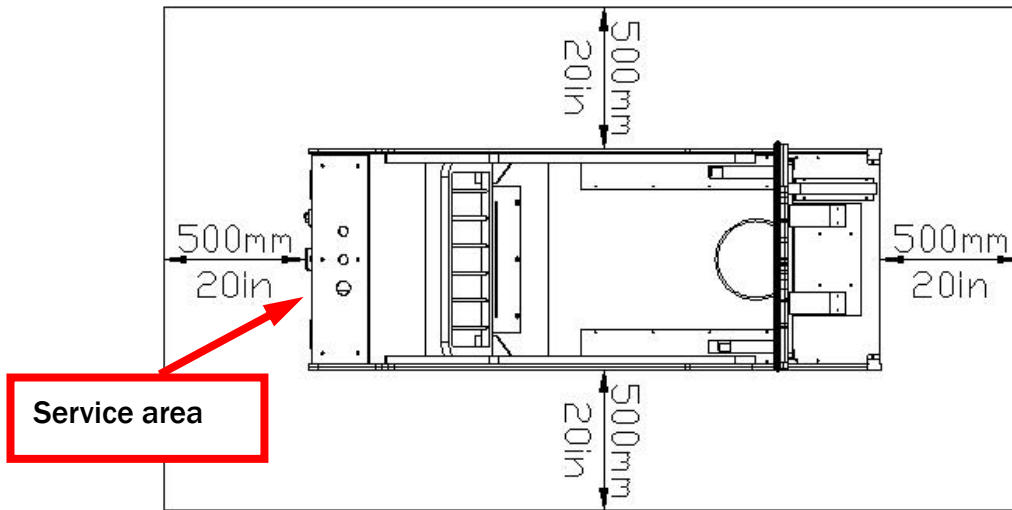
### ⚠ NOTICE

**Make sure the machine is level.**

### 4.3 Play Zone

This machine requires space for playing and for maintenance as shown below. Leave space around the game upon installation:

Service area: 20 in/500mm



#### NOTICE

**Your unit must be leveled to operate properly.**

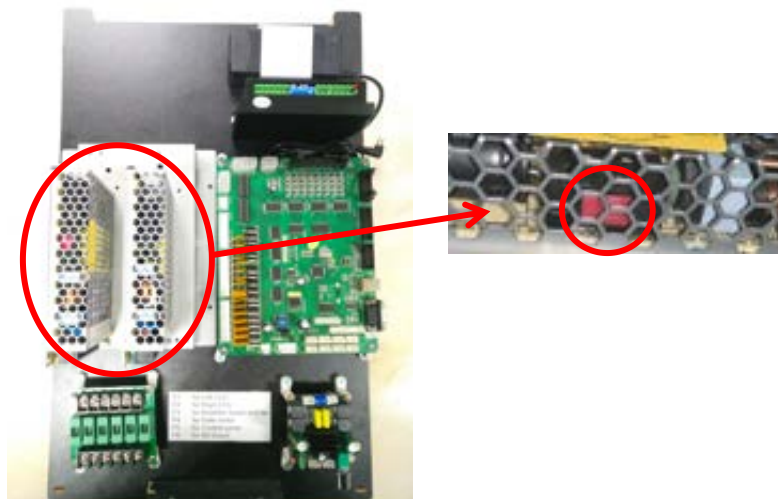
### 4.4 Voltage Conversion (110V convert to 220V)

Step 1 Power off the machine.

Step 2 Locate the power supplies.

Step 3 Toggle the switches from 115V to 230V on the Power supplies.

Step 4 Power on the machine.




### 4.5 Card Reader Installation Safety Notice



Take precaution to assure that all wiring voltages are confirmed prior to installation of card reader. All warranties are void if not properly installed resulting in logic board damage.

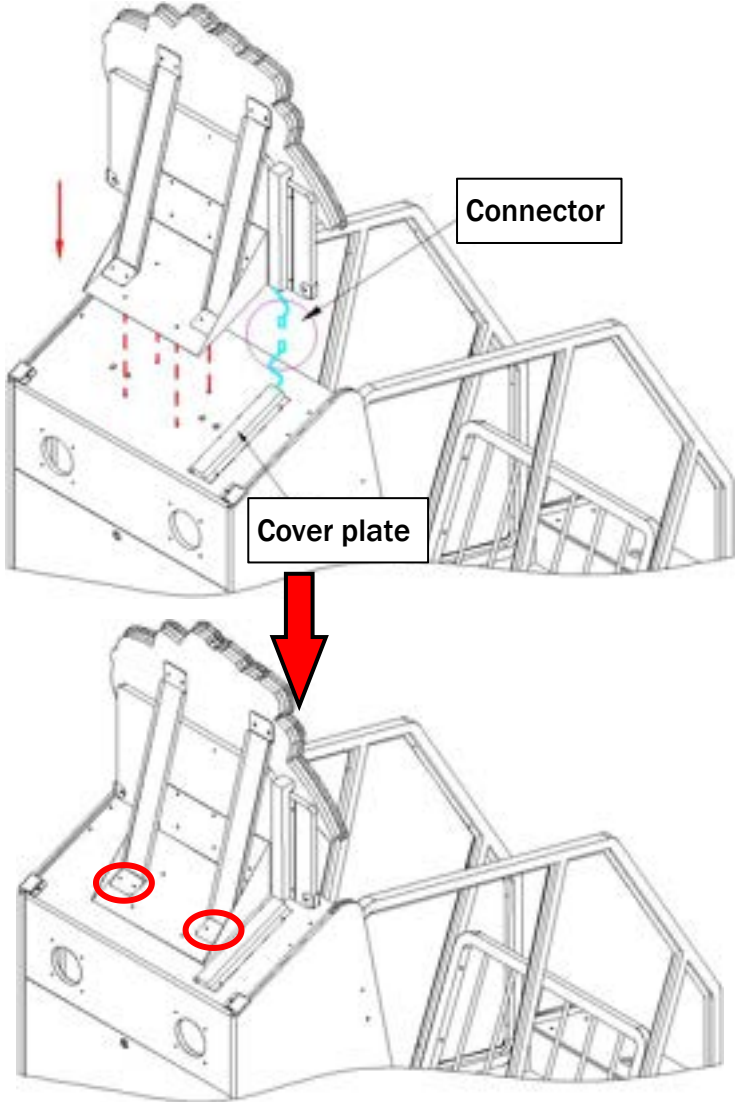
### 4.6 Machine Installation

Before processing with assembly assure you have the following tools.

No.	Name	Picture
1	Phillips screwdriver	

**Step 1** Utilize Phillips screwdriver to remove the Cover plate to plug the connector. Fix back the Cover plate.

**Step 2** Utilize Phillips screwdriver tighten 4 screws to fix the Marquee to the cabinet.



Name	Cross recessed pan head screw set
SPEC	M5×16
QTY	4

**Finish!**

## 5. HOW TO PLAY

1. Insert coins/cash or swipe card, choose level and press START.



2. Round 1: Shoot balls in limited time; reach the target score to pass the stage.



3. Round 2: Shoot balls to reach the target score to pass the stage. (The field goal percentage and speed will influence the score you get every time.)





4. Round 3: Shoot balls and the horizontal line will grow high. If the horizontal line reaches the top line, pass the stage.



5. Round 4: There is a scoring area with different points. When you field the goal, you get the point in the scoring area where the basketball in the monitor is on.

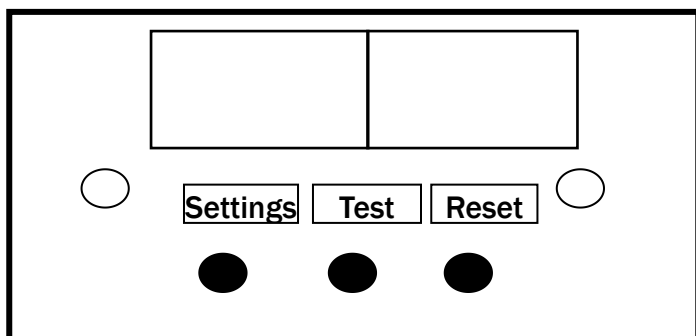


6. Ranking List shows the player's ranking, challenge stage and score.



## 6. GAME OPTION

### 6.1 Adjustment button instruction



Open the coin door and there is a meter panel. Press Settings button to enter into the setting menu.

### 6.2 Main Menu

Basic Setting
Customized Setting
Ranking Setting
Input Test
Output Test
Game Reset
Date/Time Setting
Language/语言
Bookkeeping
Daily Record
Back to Game

#### 6.2.1 Basic Setting

Free Play	OFF_ON(OFF)
Ticket Out	OFF_ON(ON)
Demo Music	OFF_ON(OFF)
Memory Save	OFF_ON(ON)
Volume	0-10(10)
Coins Per Game	1-99(2)
Out of Tickets	Store in memory_Call Attendant
Back&Save	
Back	

#### 6.2.2 Customized Setting

Match Mode*	Knockout_All rounds(Knockout)
Linking Mode	OFF_ON(OFF)
Cabinet Number	1_16(1)
Round Switching Time**	Normal_Fast_Fastest(Normal)
Round 1 Time	10_60(30)
Round 2 Time	10_60(30)
Round 3 Time	10_60(30)
Round 4 Time	10_60(30)

[Easy]Round 1 Target	1_200(4)
[Easy]Round 2 Target	1_200(10)
[Easy]Round 3 Target	1_200(30)
[Easy]Round 4 Target	1_500(60)
[Hard]Round 1 Target	1_200(6)
[Hard]Round 2 Target	1_200(20)
[Hard]Round 3 Target	1_500(50)
[Hard]Round 4 Target	1_500(80)
Mercy Ticket	0_60(5)
Pass Award Ticket	0_60(10)
Back&Save	
Back	

**Match Mode\*** (in Linking mode):  
**Knockout:** Player can enter the next round only when he reaches the target score.  
**All rounds:** Player can play all 4 rounds regardless of the score he gets.

**Round Switching Time\*\*:**  
 Transition time between each two round.

### 6.2.3 Ranking Setting

Best Record***	0-5000(0)
Data Reset	Auto_Manual(Manual)
Clear Ranking Data	
Back&Save	
Back	

**Best Record\*\*\*:**  
 If Data Reset is set 'Auto', Best Record you set will show after restarting the machine.

### 6.2.4 Input Test

Coin Mechanism
Hoop Sensor
Easy Btn
Hard Btn
Confirm Button
Forbid Area Sign****
Stands Location*****
Back

**Forbid Area Sign\*\*\*\*:**  
 Basketball court area  
**Stands Location\*\*\*\*\*:**  
 Hoop frame assembly position

### 6.2.5 Output Test

Ticket Drive
Ball Gate Motor
Easy Btn Light
Hard Btn Light
Confirm Button Light
Stands Moves Forward
Stands Moves Backward
Back



### 6.2.6 Game Reset

Factory Restore	NO_YES
Reset Basic Setting	NO_YES
Reset Customized Setting	NO_YES
Clear All Records	NO_YES
Clear Owed Ticket	NO_YES
Clear Unused Coin	NO_YES
Back	

### 6.2.7 Date/Time Setting

Year
Month
Day
Hour(24)
Minute
Second
Back&Save
Back

### 6.2.8 Bookkeeping

Player	Coins	Tickets	Payout
1	0	0	0.00
NON RESETTABLE POINTS			
NON RESETTABLE TICKETS			
Back			

### 6.2.9 Daily Record

Date	Weekday	RunTime	Coins	Tickets	Payout
2014-06-06	Fri	00:01	0	0	0.00
Prev. Page					
Next Page					
Clear					
Back					

## 7. TROUBLESHOOTING




### 7.1 Common Problem

Please confirm that all connectors fit tightly.

Symptom	Possible Cause	Recommended action
Game will not start	Frame assembly connector is loose.	Check connector.
	Frame assembly fault	Contact with UNIS Service.
Power off	Circuit protector make power SW in off state.	Turn on power SW again. If appeared again and again, machine has anomaly. Please contact with UNIS Service.
No ticket dispensing	Out of ticket.	Add ticket and press reset button
	Ticket jamming.	Remove the jammed tickets and press reset button.
	The connector is loose.	Plug the connector tightly.
No sound	Low volume	Raise the volume.
	Connector loose.	Check connector.
	Speaker fault.	Check speaker.
	POT installation error.	Install POT correctly.
	POT fault.	Change POT.
	Audio cable problem.	Reconnect the audio cable or change it.
	PC crash.	Restart or system recovery.
Display black screen	Check connectors.	Plug in connector tightly
	Display fault.	Utilize another source such as a PC to verify if the display is operational.
	RAM is loose.	Remove and reinsert RAM.
Display blue screen	PC power cord is loose	Check PC power cord whether is loose.
	VGA signal cable is loose.	Check VGA cable
	PC video card is loose.	Reseat video card.
	“0X000000A” code appears. Conflict between computer drive and software.	Contact service

**Note:** After replacing component from PC (except for RAM), and replacing monitor, the game should be recovered again with the recovery stick attached to the machine.

If you see following error signs showing on the display, please try the recommended action.

Display	Possible Cause	Recommended action
	The connection part of the IO board and PC are loose.	Check and reconnect the loose ports of the PC or IO board.
	Cable quality problem	Change the cable after checking the connection between IO board and PC.
	Cable became loose during transportation.	Check and reconnect the loose cables of the PC or IO board.
	IO board is faulty.	Reboot the game after checking connection and cable problem, if the problem remains unresolved, please call the service department for assistance.
	Ball gate doesn't turn.	Ball gate sensor is faulty.
		Motor is faulty.
	Out of ticket.	Refill ticket
	Loose connection of the ticket dispenser's cables.	Check and reconnect the loose cables to the ticket dispenser.
	Ticket dispenser is faulty.	Change the ticket dispenser.
	Ticket jam.	Remove jammed tickets.

## 7.2 System Recovery Operation **(NOTE: Do not disconnect power during this process.)**

1. Turn off the game. Remove the recovery stick from the machine. (Note: This process may take up to 60 minutes) Insert the recovery stick into the port at the back of the computer.
2. Restart PC to enter the system recovery screen as shown.



3. The game will automatically start recovery.
4. Once system recovery is partially finished (as shown below), and the ICON appears, remove the recovery stick from the computer. The game will continue the install process.

OK to remove the recovery stick.



5. Assure that the recovery stick has been properly secured for future use.



**WARNING:** The recovery stick should only be used to fix software errors. Using it for other purposes may cause unexpected results and damages.

## 8. MAINTENANCE & INSPECTION

### 8.1 Safety Check

Check the points listed before operating the machine. These checks are necessary for safe machine operation:

1. Test game before operation each day.
2. Conduct monthly routine checks of game components to ensure good working condition.
3. Check the machine regularly for dust and clean when necessary.


**Note:** Parts and components require preventative maintenance to maintain proper operation.

 **NOTICE**

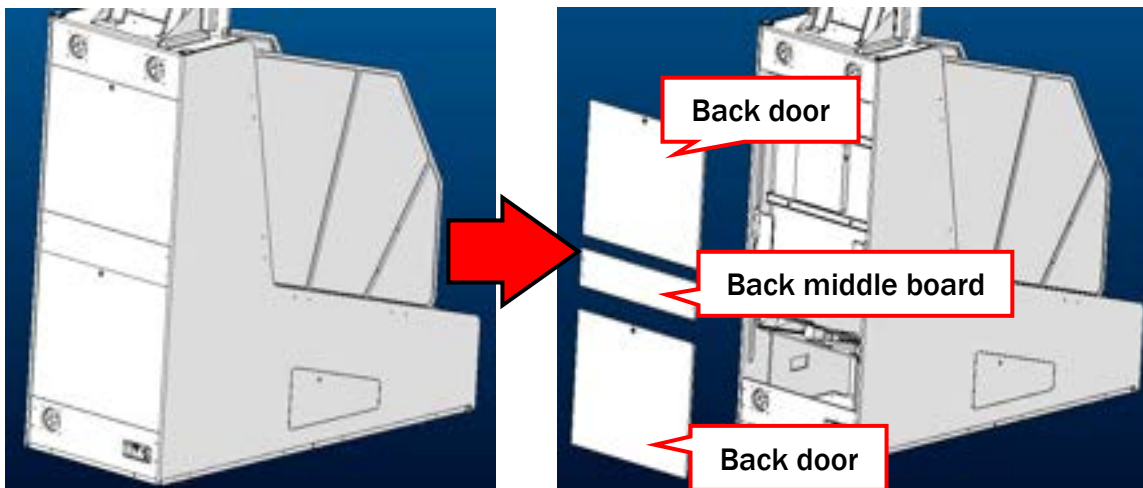
**We do not recommend using power tools as they may cause damage.**

### 8.2 Monitor Replacement

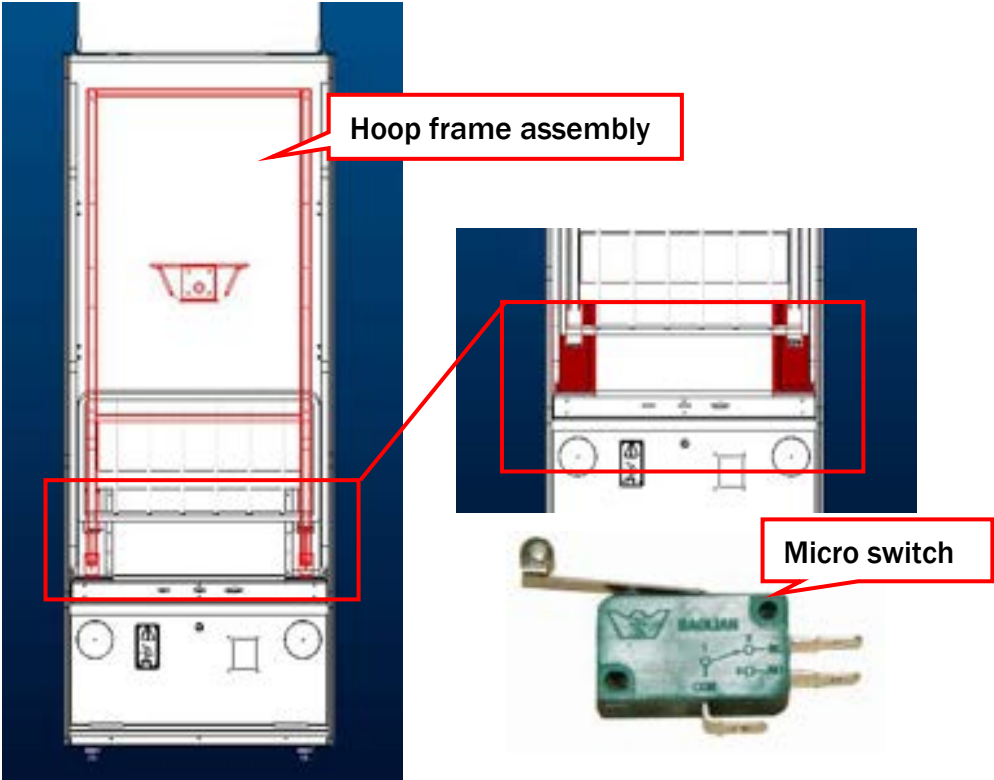
Before processing assure you have the following tools.

No.	Name	Picture
1	Phillips screwdriver	

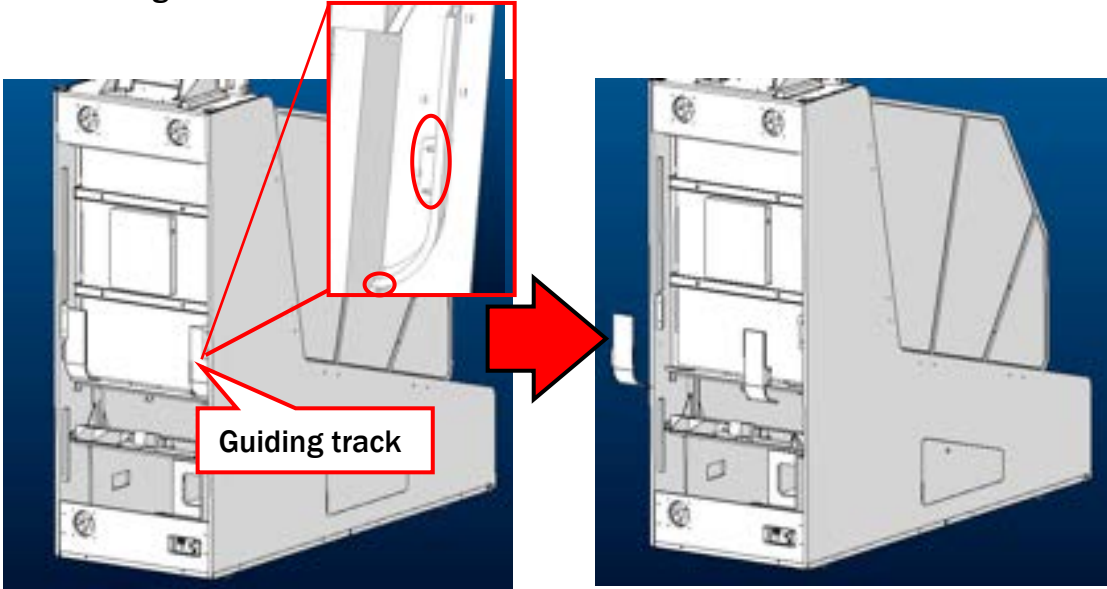
Step 1 Utilize 171A Key to open 2 Back doors. Utilize Phillips screwdriver to loosen 4 screws to remove the Back middle board.



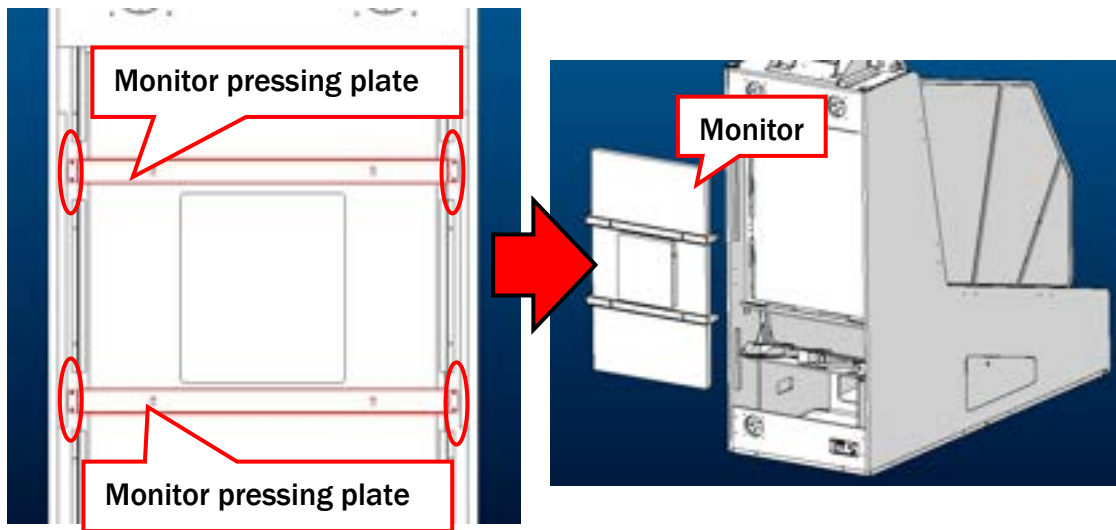
Step 2 Locate the back of the Cabinet. Push the Hoop frame assembly forward along the track to the foremost where the Micro switches locate.



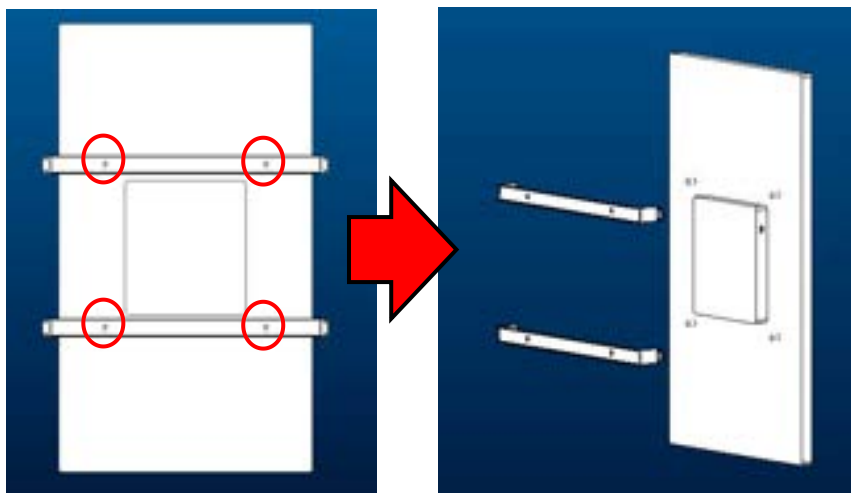
Step 3 Utilize Phillips screwdriver to loosen 3 screws on Guiding track on each side to remove 2 Guiding tracks.



Step 4 Utilize Phillips screwdriver to loosen 8 screws on 2 Monitor pressing plates to remove 2 Monitor pressing plates and Monitor.

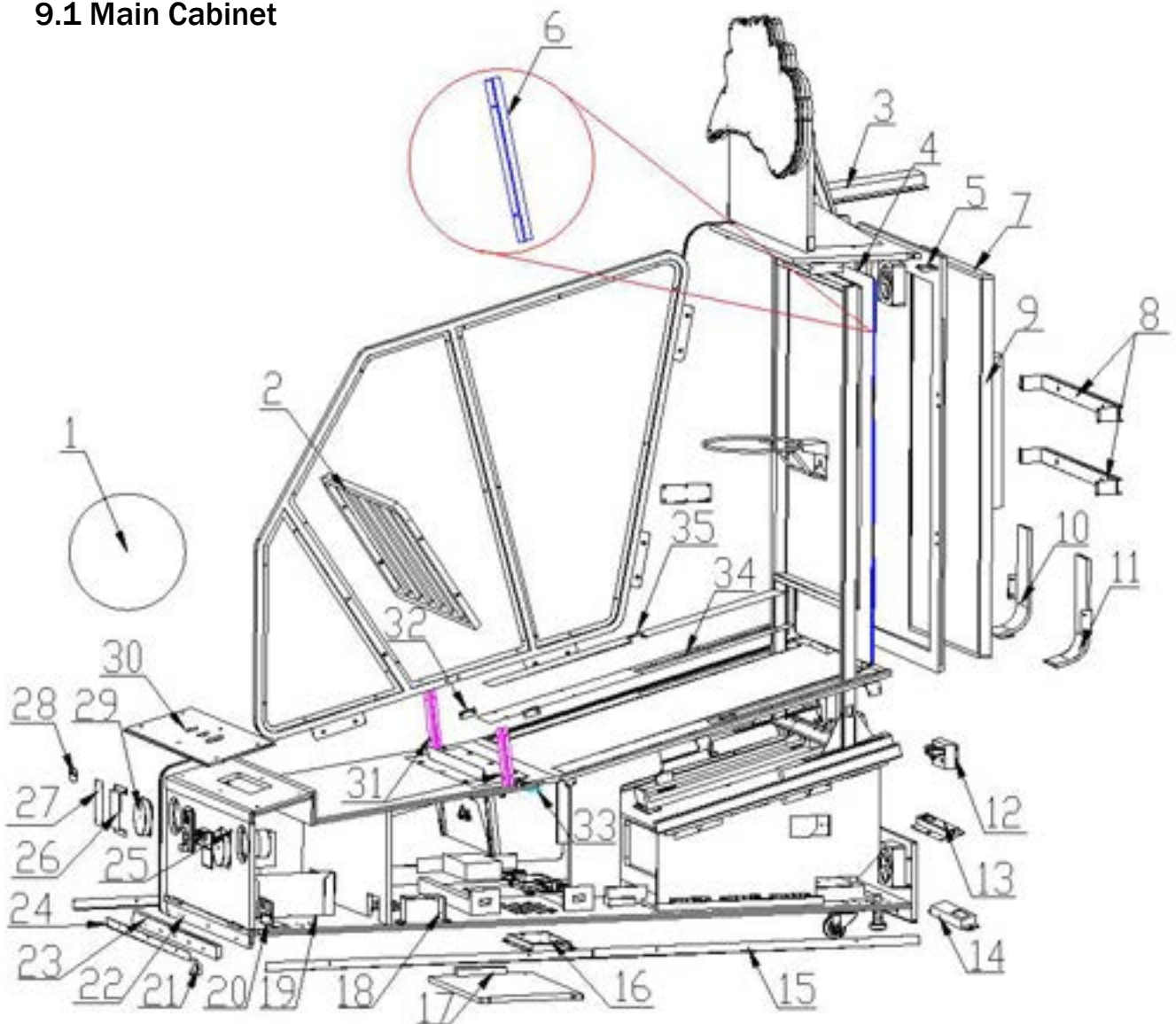


Step 5 Utilize Phillips screwdriver to loosen 4 screws on 2 Monitor pressing plates to remove Monitor pressing plates from the Monitor. Replace with a new Monitor and install in reverse order.



## 9. OVERALL CONSTRUCTION

### 9.1 Main Cabinet

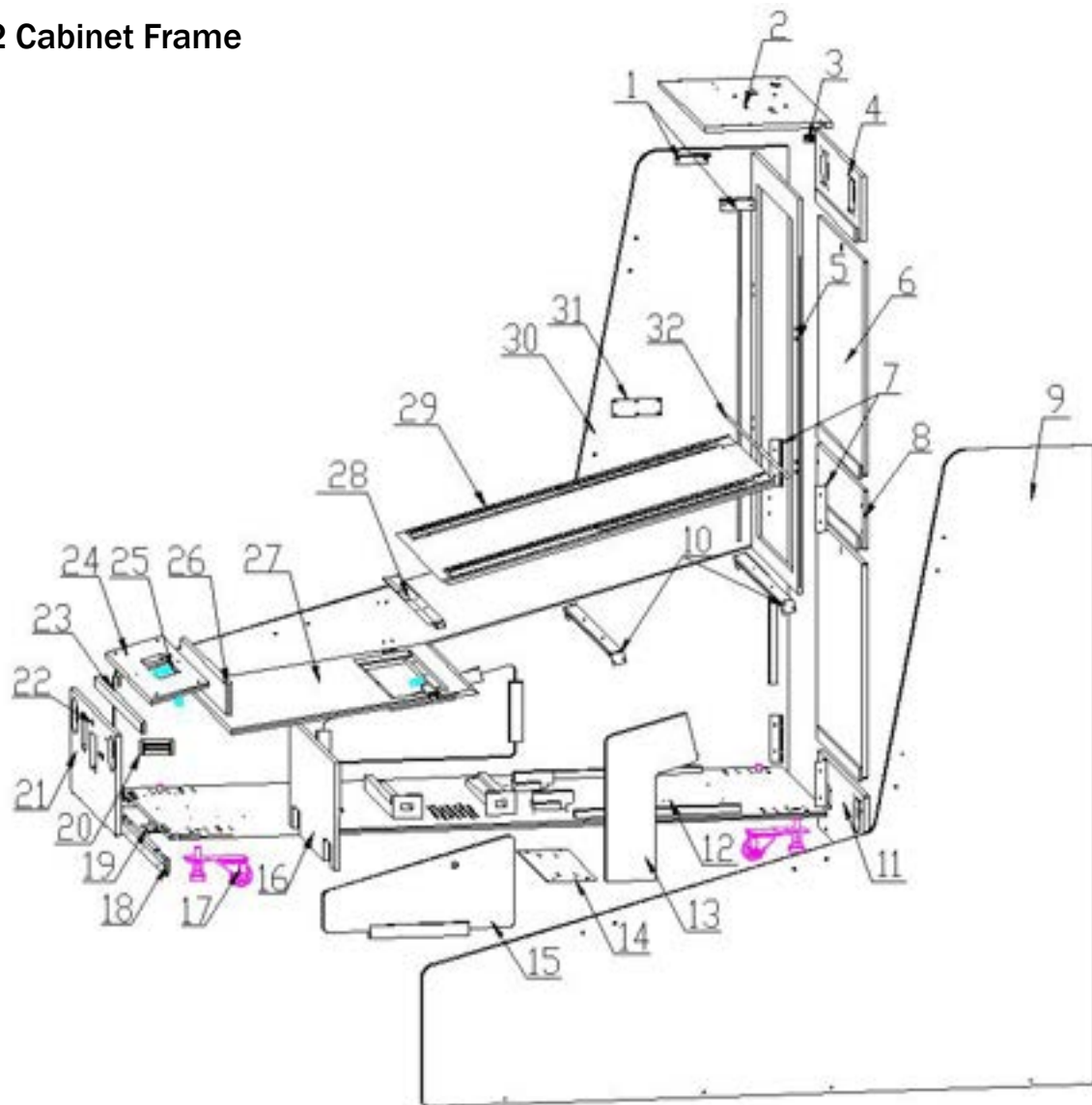


No.	Part No.	Code No.	Name	Qty
1	T149-614-000	41000021	Ball	5
2	T149-109-000	20211905A029	Block ball fence	1
3	T149-117-000	20211905A007	Cover plate	1
4	T149-101-000	20611905A010	Monitor plastic	1
5	T149-108-000	20211905A001	Pressing plate	2
6	T149-102-000	20211905A034	Monitor plastic pressing plate	6
7	T149-104-000	20611905A002	Foam(Horizontal)	2
8	T149-105-000	20211905A030	Monitor pressing plate	2
9	T149-103-000	20611905A001	Foam(Vertical)	2
10	T149-106-000	20211905A041	Guiding track 1	1
11	T149-107-000	20211905A042	Guiding track 2	1
12	T149-166-000	26000042001B	Wiring box	1
	T149-167-000	26000042002B	Wiring box cover	1



No.	Part No.	Code No.	Name	Qty
13	T149-170-000	26000055000	Dongle bracket	1
14	T149-171-000	26000064000	Recovery stick bracket	1
15	T149-114-000	20211905A005	Side T-molding	4
16	T149-160-000	26000001000D	Power supply bracket	1
17	T149-501-000	20311905A030	Electrical component mounting board	1
18	T149-118-000	20211905A031	Adapter fixing plate	2
19	T149-161-000	26000007000	Ticket box	1
20	T149-120-000	20211905A009	Counter bracket	1
21	T149-121-000	20211905A010	Front pressing plate	2
22	T149-116-000	20211905A006	Front light mounting plate	1
23	T149-115-000	20611905A011	Front light plastic	1
24	T149-113-000	20211905A004	Front T-molding	1
25	T149-176-000	26000065000	Ticket light cover	1
26	T149-177-000	20211905A045	DBV blank plate	1
27	T149-178-000	20211905A046	Coin mechanism blank plate	1
28	T149-168-000	26000051000	Ticket out plate	1
29	T149-164-000	26000027000	Speaker net	2
30	T149-701-000	20511905A001	Control panel plastic	1
31	T149-122-000	20211905A011	Sensor cable slot	2
32	T149-119-000	20211905A008	Sensor mounting plate	2
33	T149-112-001	20211905A003A	Sensor cover	2
34	T149-110-000	20211905A002	Moving track cover	2
35	T149-111-000	20211905A043	Moving plate	2

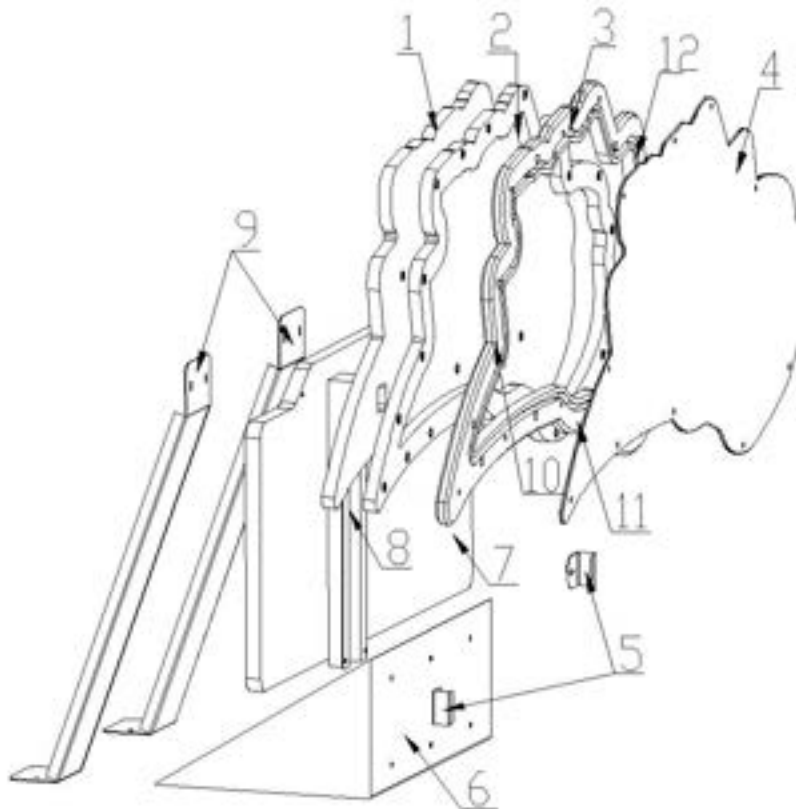
## 9.2 Cabinet Frame



No.	Part No.	Code No.	Name	Qty
1	T149-126-000	20211905A013	Top fixing plate	2
2	T149-511-000	20311905A015	Top board	1
3	T149-173-000	26000067000-W	Plastic joint	2
4	T149-512-000	20311905A016	Back top board	1
5	T149-514-000	20311905A018	Monitor frame	1
6	T149-513-000	20311905A017	Back door board	2
7	T149-127-000	20211905A033	Back fixing plate	4
8	T149-515-000	20311905A019	Back middle board	1
9	T149-519-000	20311905A022	R side board	1
10	T149-124-000	20211905A032	Moving track reinforcing plate	2
11	T149-516-000	20311905A020	Back bottom board	1
12	T149-517-001	20311905A001A	Base board	1
13	T149-520-001	20311905A023A	Middle support board 2	1
14	T149-128-000	20211905A014	Base reinforcing plate	1
15	T149-518-000	20311905A021	Side door	1
16	T149-507-000	20311905A011	Middle support board 1	1

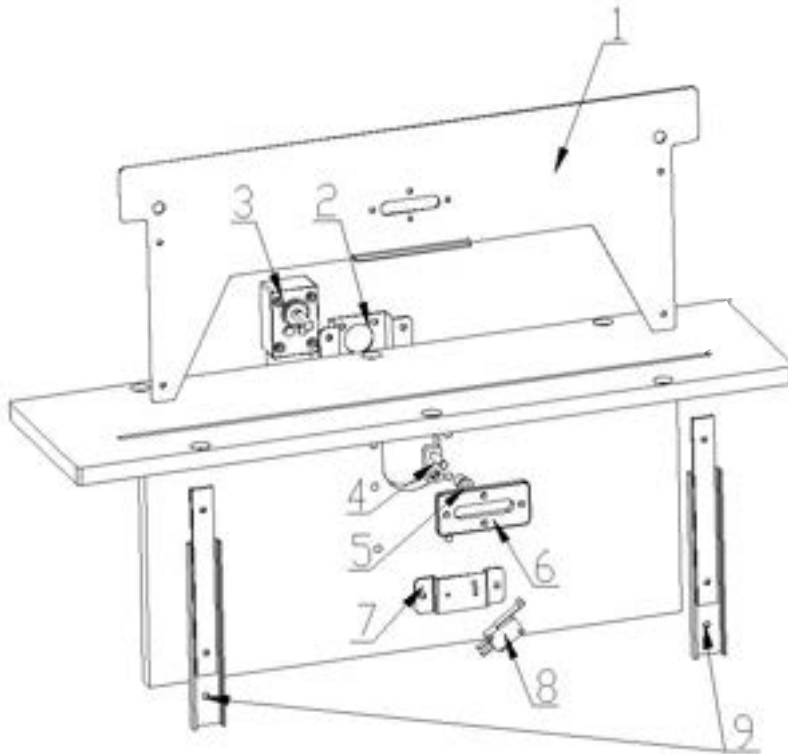
No.	Part No.	Code No.	Name	Qty
17	T149-162-000	26000008000	2.5" leveller	4
	T149-163-000	26000010000	2.5" leveller bracket	4
	T149-603-000	25501000047	2.5" caster	4
18	T149-502-000	20311905A006	Light bottom mounting plate	1
19	T149-601-000	26300000011	Hinge	2
20	T149-604-000	26302000004	Chain	2
21	T149-503-000	20311905A007	Front board	1
22	T149-602-000	25300171001	171 lock	4
23	T149-504-000	20311905A008	Control panel front board	1
24	T149-505-000	20311905A009	Control panel top board	1
25	T149-172-000	26000067000	Plastic joint	46
26	T149-506-000	20311905A010	Control panel back board	1
27	T149-508-001	20311905A012A	Ball middle lane	1
28	T149-123-000	20211905A035	Reinforcing beam	1
29	T149-509-001	20311905A013A	Ball lane board	1
30	T149-510-000	20311905A014	L side board	1
31	T149-125-000	20211905A012	Board reinforcing plate	2
32	T149-521-000	20311905A029	Wood batten	2

### 9.3 Marquee Assembly

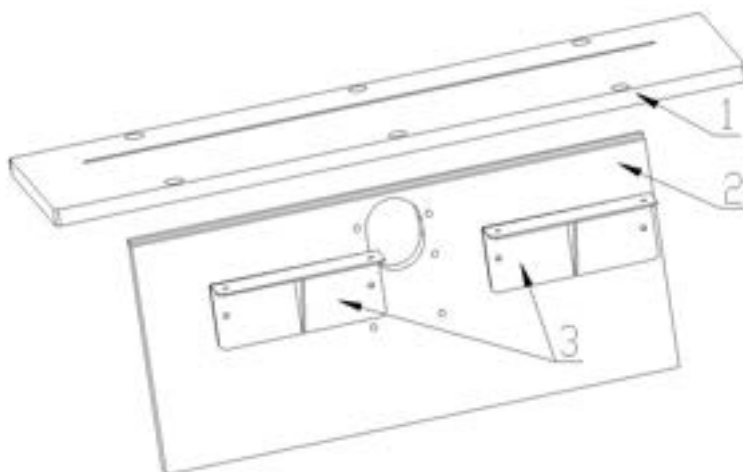


No.	Part No.	Code No.	Name	Qty
1	T149-530-000	20311905A026	Marquee board	1
2	T149-531-000	20311905A027	Marquee frame	1
3	T149-137-000	20611905A012	Light plastic 1	1
4	T149-702-000	20511905A002	Marquee plastic	1
5	T149-143-000	20211905A020	Marquee pressing plate	2
6	T149-141-000	20211905A018	Marquee base bracket	1
7	T149-532-000	20311905A028	Marquee support board	1
8	T149-144-000	20211905A021	Cable slot	1
9	T149-142-000	20211905A019	Marquee bracket	2
10	T149-140-000	20611905A015	Light plastic 4	1
11	T149-138-000	20611905A013	Light plastic 2	1
12	T149-139-000	20611905A014	Light plastic 3	1

#### 9.4 Ball Gate Assembly

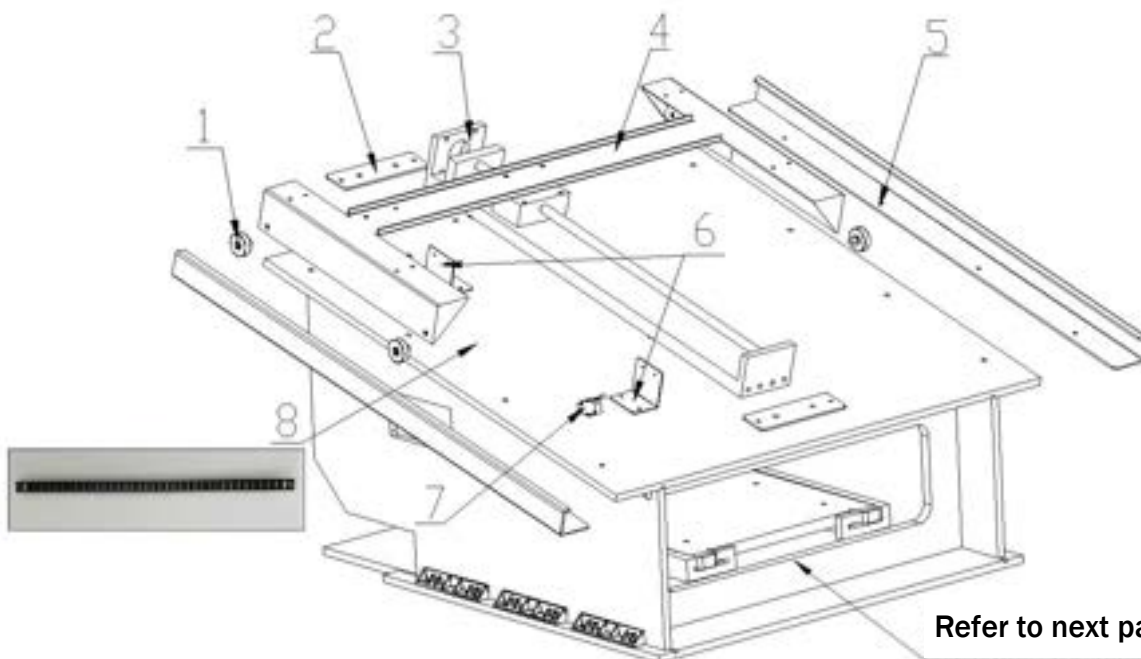


No.	Part No.	Code No.	Name	Qty
1	T149-134-000	20211905A016	Ball gate	1
2	T149-136-000	20211905A017	Motor bracket	1
3	T149-608-000	23404000235	DC motor	1
4	T149-135-000	20211905A044	Rocker arm	1
5	T149-610-000	20106090135	Bearing	1
6	T149-174-000	20651011005	Sliding plate	1
7	T149-175-000	20251011039	Switch bracket	1
8	T149-607-000	22604000007	Micro switch	1
9	T149-609-000	25105000006	Sliding track	2

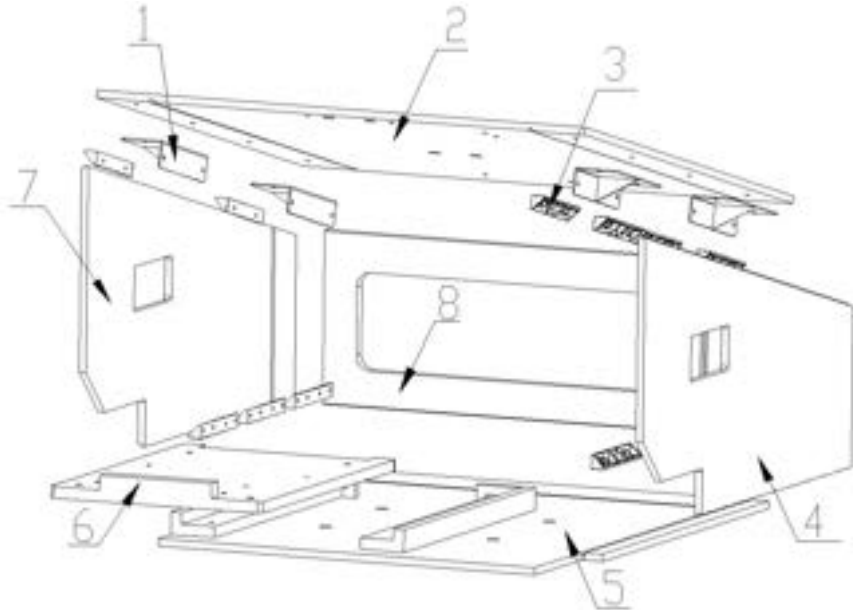


No.	Part No.	Code No.	Name	Qty
1	T149-529-000	20311905A025	Ball gate fixing board	1
2	T149-528-000	20311905A024	Ball gate support board	1
3	T149-129-000	20211905A036	Reinforcing bracket	2

### 9.5 Sliding Case Assembly

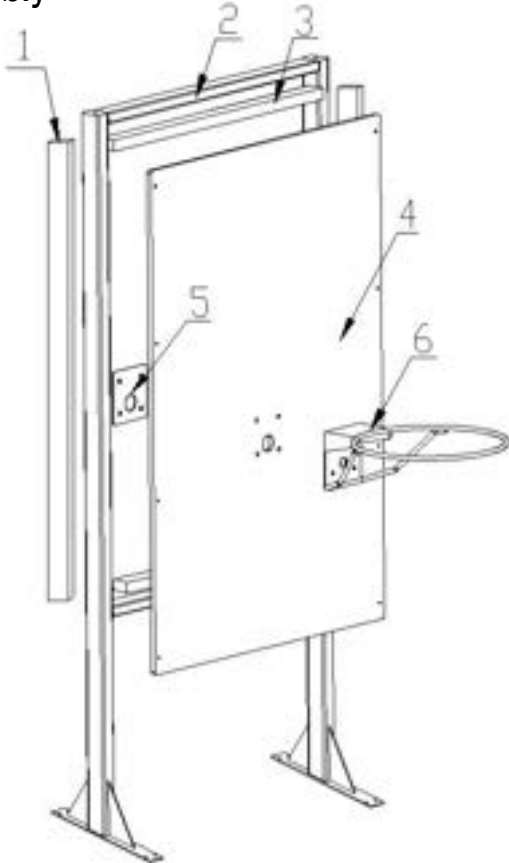


No.	Part No.	Code No.	Name	Qty
1	T149-606-000	20106000020	Deep groove ball bearing	4
	T149-159-000	20241105014	Bearing wheel	4
2	T149-131-000	20211905A015	Sliding track fixing plate	2
3	T149-605-000	23429000010	Sliding mechanism	1
4	T149-133-000	20211905A040	Mounting base plate	1
5	T149-130-000	20211905A038	Sliding track	2
6	T149-132-000	20211905A039	Micro switch bracket	2
7	T149-607-000	22604000007	Micro switch	2
8	T149-401-000	26503020027	Chain	2



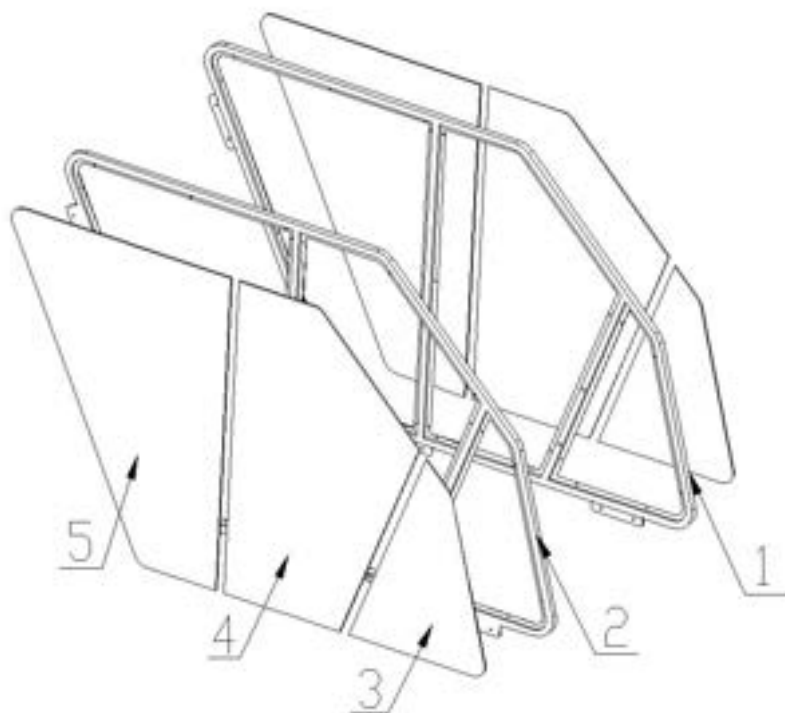
No.	Part No.	Code No.	Name	Qty
1	T149-129-000	20211905A036	Reinforcing bracket	4
2	T149-524-001	20311905A004A	Sliding case top board	1
3	T149-172-000	26000067000	Plastic joint	10
4	T149-525-000	20311905A005	Sliding case side board 2	1
5	T149-522-001	20311905A002A	Sliding case base board	1
6	T149-527-001	20311905A032A	PC mounting board	1
7	T149-523-000	20311905A003	Sliding case side board 1	1
8	T149-526-000	20311905A031	Sliding case reinforcing board	1

9.6 Hoop Frame Assembly



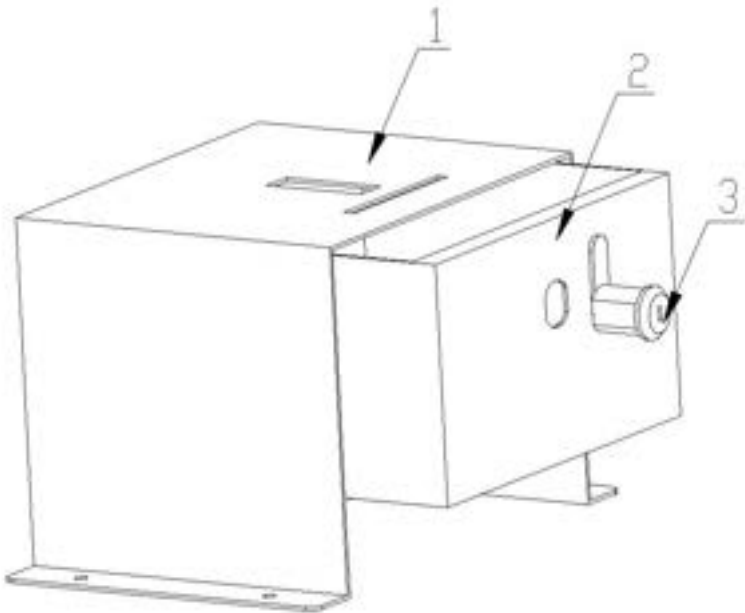
No.	Part No.	Code No.	Name	Qty
1	T149-148-000	20611905A003	Plastic foam 1	2
2	T149-145-000	20211905A022	Frame	1
3	T149-149-000	20611905A004	Plastic foam 2	2
4	T149-146-000	20611905A006	Hoop plastic	1
5	T149-150-001	20211905A024A	Hoop mounting plate	1
6	T149-147-000	20211905A023	Hoop	1

### 9.7 Side Fence Assembly



No.	Part No.	Code No.	Name	Qty
1	T149-158-000	20211905A028	R fence frame	1
2	T149-151-000	20211905A027	L fence frame	1
3	T149-153-000	20611905A007	Fence plastic 1	2
4	T149-154-000	20611905A008	Fence plastic 2	2
5	T149-155-000	20611905A009	Fence plastic 3	2

### 9.8 Coin Box Assembly



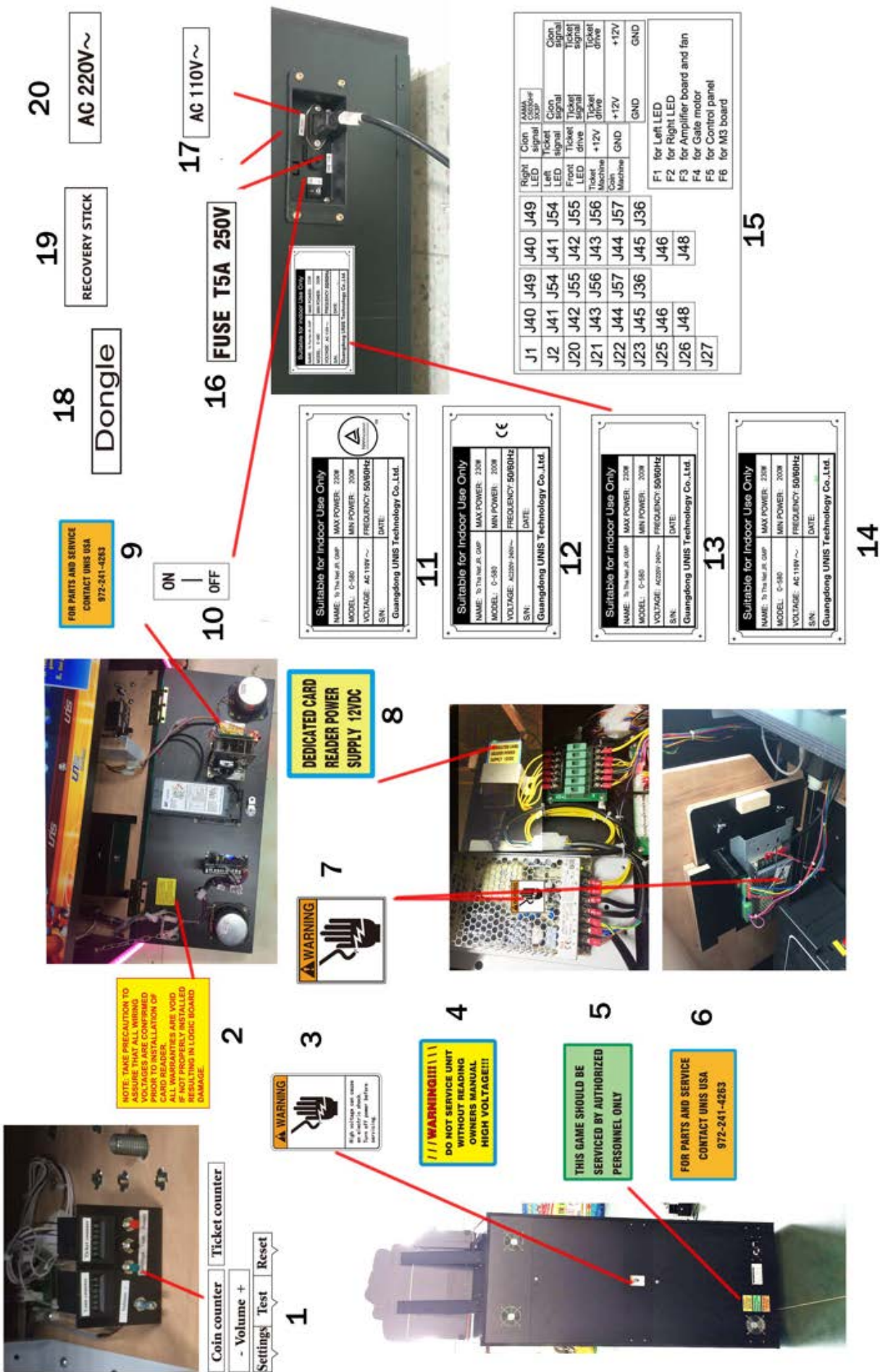
No.	Part No.	Code No.	Name	Qty
1	T149-157-000	20211905A026	Outer coin box	1
2	T149-156-000	20211905A025	Inner coin box	1
3	T149-611-000	25300172001	171B lock	1



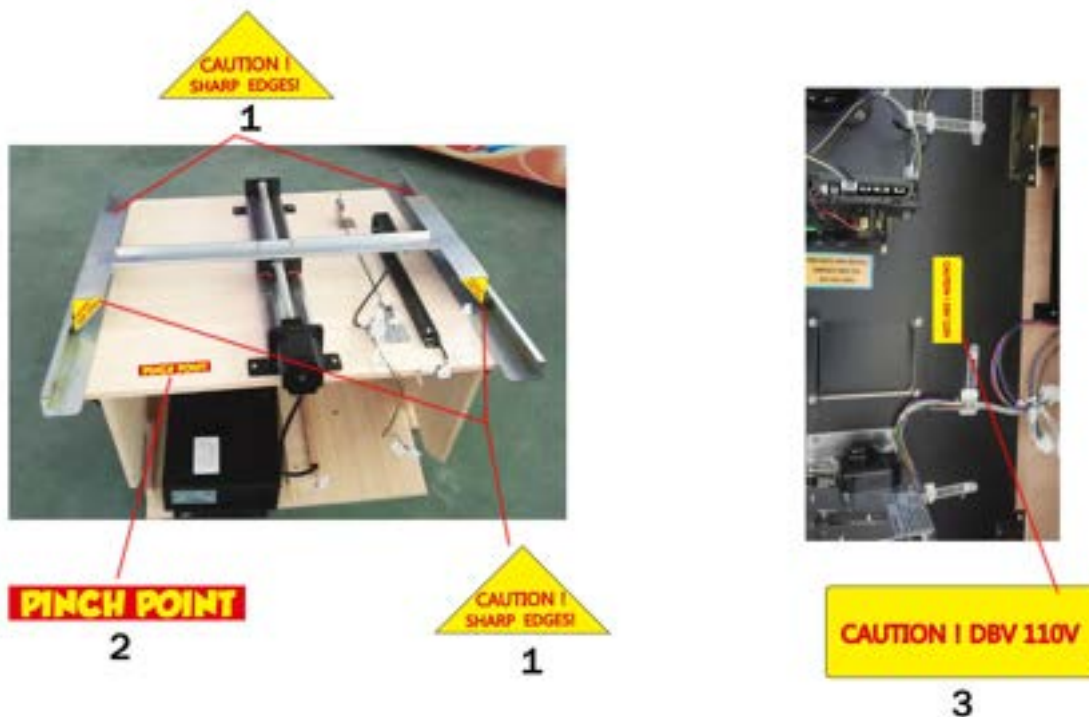
### 9.9 Decals



No.	Part No.	Code No.	Name	Qty
1	T149-702-000	20511905A002	Marquee plastic	1
2	T149-704-000	20511905A004	L side decal	1
3	T149-707-000	20511905A007	Button decal	1
4	T149-701-000	20511905A001	Control panel plastic	1
5	T149-717-000	20511904016	DBV decal	1
6	T149-706-000	20511905A006	Front door decal	1
7	T149-720-000	25600000108	Ticket out decal	1
8	T149-714-001	20511905A017	No climbing decal	1
9	T149-705-000	20511905A005	R side decal	1
10	T149-708-000	20511905A008	Front lane decal	1
11	T149-709-000	20511905A009	Back lane decal	1
12	T149-703-000	20511905A003	Marquee decal	1



No.	Part No.	Code No.	Name	Qty
1	T149-716-000	20511905A016	Counter label	1
2	T149-719-000	20511904018	AAMA label	1
3	T149-724-000	25600000037	High voltage label(L)	1
4	T149-726-000	25600000067A	Warning label	1
5	T149-725-000	25600000042A	Service label	1
6	T149-731-000	25600000095A	Service label(L)	1
7	T149-723-000	25600000036	High voltage label(S)	2
8	T149-718-000	20511904017	Adapter label	1
9	T149-732-000	25600000096A	Service label(S)	1
10	T149-722-000	25600000016	Power switch label	1
11	T149-710-000	20511905A010	110V nameplate(TUV)	1
12	T149-711-000	20511905A011	220V nameplate(CE)	1
13	T149-712-000	20511905A012	220V nameplate	1
14	T149-713-000	20511905A013	110V nameplate	1
15	T149-715-000	20511905A015	Wiring label	1
16	T149-729-000	25600000074	Fuse label	1
17	T149-727-000	25600000071	110V label	1
18	T149-730-000	25600000093	Dongle label	1
19	T149-721-000	25600000116	Recovery stick label	1
20	T149-728-000	25600000072	220V label	1



No.	Part No.	Code No.	Name	Qty
1	T149-735-000	20511905A020	Sharp Edges label	4
2	T149-734-000	20511905A019	Pinch Point label	1
3	T149-733-000	20511905A018	DBV 110V label	1



### 9.10 Electrical Components

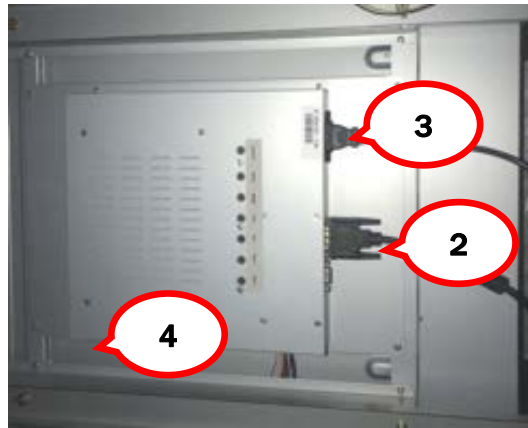


No.	Part No.	Code No.	Name	Qty
1	T149-425-000	21501000041	Hoop sensor	1
2	T149-408-000	22801000085	Speaker	2
	T149-164-000	26000027000	Speaker net	2
3	T149-433-000	22301000002	Coin mechanism	1
4	T149-432-000	23100000005	Ticket dispenser	1
5	T149-426-000	22401030006	Small button	2
	T149-428-000	22604000006	Micro switch	2
	T149-429-000	22003000018	LED bulb	2
6	T149-427-000	22401300005	Start button	1
7	T149-435-000	22002011004	BG2835W white light strip	2000mm
8	T149-613-000	40501020001	T-molding	12
9	T149-439-000	22201000028	Light holder	1
	T149-448-000	22003000003	LED bulb(12V)	1
10	T149-434-000	22002015021	BG5050RGB light strip	3600mm
11	T149-434-000	22002015021	BG5050RGB light strip	3600mm

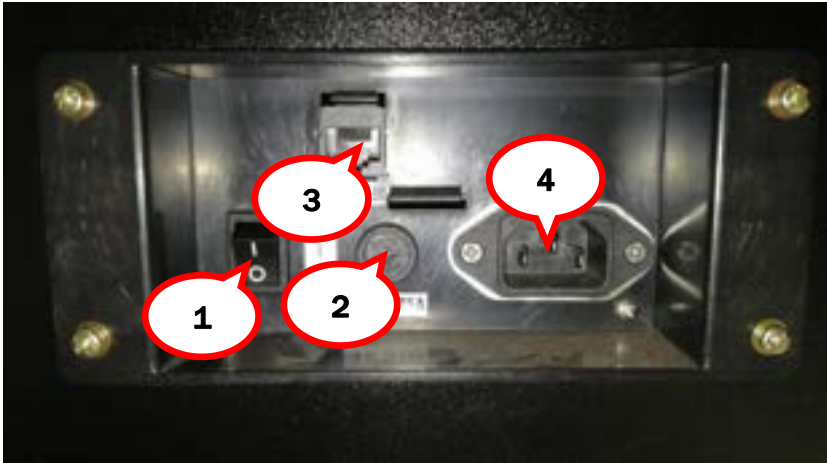
No.	Part No.	Code No.	Name	Qty
12	T149-434-000	22002015021	BG5050RGB light strip	2200mm
13	T149-434-000	22002015021	BG5050RGB light strip	1400mm
14	T149-434-000	22002015021	BG5050RGB light strip	740mm
15	T149-443-000	22003080034	5630 light	1
16	T149-447-000	21503000053	Sensor(Send, 2pins)	1
17	T149-446-000	21503000052	Sensor(Receive, 3pins)	1



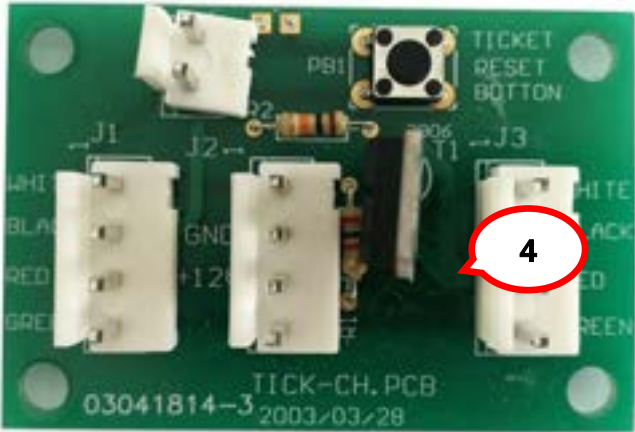
No.	Part No.	Code No.	Name	Qty
1	T149-605-000	23429000010	Sliding track	1
2	T149-449-000	21902000024	Fuse holder	1



No.	Part No.	Code No.	Name	Qty
1	T149-608-000	23404000235	DC motor	1
2	T149-409-000	23307000015	DVI-DVI video cable	1
3	T149-416-000	23301050002	Power cord	1
4	T149-410-000	21201049005	49" monitor	1



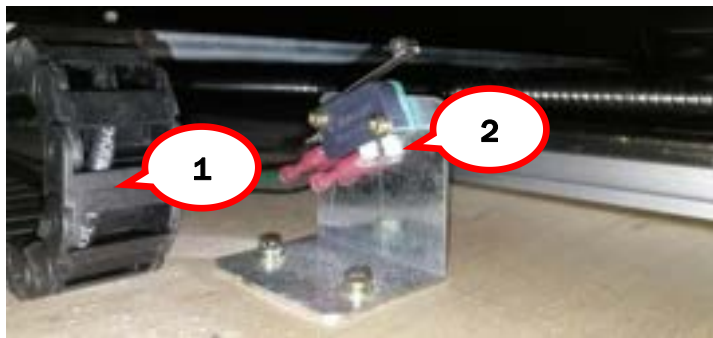
No.	Part No.	Code No.	Name	Qty
1	T149-415-000	22601000005	Rocker switch	1
2	T149-413-000	21902000006	Fuse holder	1
	T149-414-000	21901000012	Fuse	1
3	T149-445-000	23302000001	Network port	1
4	T149-412-000	23201000001A	Filter	1



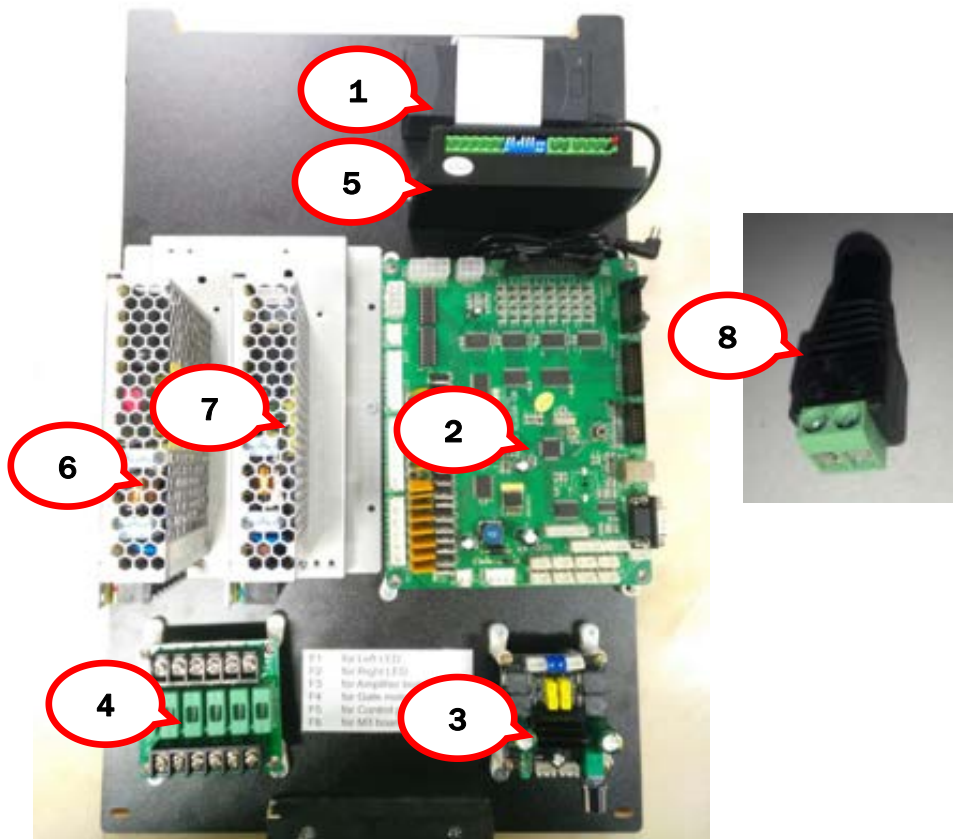
No.	Part No.	Code No.	Name	Qty
1	T149-420-000	23000000005	Counter	2
2	T149-437-000	22403000001	Knob	1
	T149-438-000	29791400001	POT connective board	1
3	T149-422-000	22402010002	Button(Red)	1
	T149-423-000	22402030002	Button(Green)	1
	T149-424-000	22402050001	Button(Black)	1
4	T149-431-000	29790700002	Ticket converted board	1



No.	Part No.	Code No.	Name	Qty
1	T149-418-000	22702010025	Fan	3
	T149-419-000	22702000010	Fan net	6



No.	Part No.	Code No.	Name	Qty
1	T149-401-000	26503020027	Chain	1
2	T149-607-000	22604000007	Micro switch	3



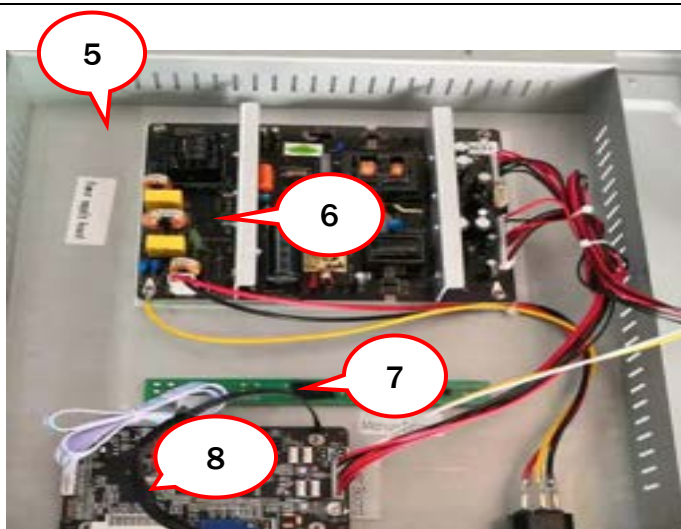


No.	Part No.	Code No.	Name	Qty
1	T149-436-000	21603000027	AC adapter	1
2	T149-421-000	29791300001	M3 mainboard	1
3	T149-440-000	22803010011	Amplifier 2.0	1
4	T149-417-000	21714000148D	Fuse board(Green holder)	1
5	T149-612-000	23407010007	Stepping motor	1
6	T149-403-000	21602000114	Power supply(12V)	1
7	T149-402-000	21602000121	Power supply(24V)	1
8	T149-430-000	23301040022	DC joint	1



No.	Part No.	Code No.	Name	Qty
1	T149-404-000	21102000107	PC	1
	T149-450-000	26601090479	Mainboard	1
	T149-451-000	26601090480	Memory	2
	T149-452-000	26601090481	HDD	1
	T149-453-000	26601090482	CPU	1
	T149-454-000	26601090483	PC case	1
	T149-455-000	26601090484	PC power supply	1
	T149-416-000	23301050002	Power cord	1
2	T149-405-000	21107020036	Dongle	1
3	T149-411-000	41300000007	Recovery stick	1
4	T149-406-000	23304000100	Dongle cable	1
5	T149-407-000	23304000098	Cable	1
6	T149-442-000	21404000015	Audio jack	1
7	T149-444-000	23302000013	Network cable	1





No.	Part No.	Code No.	Name	Qty
1	T149-458-000	26601101654	Chassis assembly of 49" monitor	1
2	T149-457-000	26601090397	Power board	1
3	T149-459-000	26601090407	7-key board	1
4	T149-456-000	26601090396	Driver board	1

[www.universal-space.com](http://www.universal-space.com)

