

BIGFOOT®

CRUSH



IMPORTANT



Be Sure
to Read this
Manual
Before Use

UNIS®

UNIS TECHNOLOGY

Operation Manual

WE ARE HERE TO ASSIST For parts and service



Have Questions? Contact us!

UNIS SERVICE CENTER
Tel: 972-241-4263
Email: service@unispartsandservice.com
www.unispartsandservice.com

When contacting Service, you will need the following information and the name of your authorized distributor.

INDOOR MACHINE		INDOOR MACHINE	
NAME: Big Foot Crush GMP	MAX POWER: 300W	NAME: Big Foot Crush GMP	MAX POWER: 300W
MODEL: C-630	MIN POWER: 250W	MODEL: C-630	MIN POWER: 250W
S/N:	FREQUENCY: 50/60Hz	S/N:	FREQUENCY: 50/60Hz
VOLTAGE: AC110V~	DATE:	VOLTAGE: AC220-240V~	DATE:
Zhongshan UNIS Technology Co.,LTD		Zhongshan UNIS Technology Co.,LTD	

CONTENT

IMPORTANT SAFETY INSTRUCTIONS.....3

1. SPECIFICATIONS..... 5

2. CONTENTS OF THE ACCESSORY KIT..... 6

3. PART NAME..... 7

4. SET UP & INSTALLATION..... 8

5. HOW TO PLAY..... 11

6. GAME OPTION..... 13

7. TROUBLESHOOTING..... 16

8. MAINTENANCE & INSPECTION..... 19

9. OVERALL CONSTRUCTION..... 20

10. WIRING DIAGRAM..... 42

Thank you for purchasing **Big Foot Crush GMP**. We hope you enjoy the product.

This manual contains valuable information about how to operate and maintain your game machine properly and safely. It is intended for the owner and/or personnel in charge of product operation. Carefully read and understand the instructions.

If you need any help during installation and setup please utilize this manual and troubleshooting guide. If the product fails to function properly, *non-technical personnel should under no circumstance attempt to service the machine*. Contact your distributor or manufacturer for help.

Before use, please read **IMPORTANT SAFETY INSTRUCTIONS**.

IMPORTANT SAFETY INSTRUCTIONS

To ensure the safe usage of this product, carefully read and understand these instructions before operating your game.

Save these instructions for future reference.

Use this product only as described in this manual. Other uses not recommended may cause fire, electric shock or personal injury. Unplug the game from the outlet when not in use, when moving from one location to another, and before cleaning/servicing.

Explanations which require special attention are indicated by signs of warning. Depending on the potential hazardous degree, the terms: **NOTE**, **NOTICE**, and **WARNING** are used.

NOTE: A NOTE indicates useful hints or information about product usage.

NOTICE: A NOTICE indicates potential damage to product and how to avoid the problem.

WARNING: A WARNING indicates a potential for product damage or serious personal injury.

It is important to understand the meaning of the following HAZARD SIGNS before continuing:

High Voltage and Shock Hazard:

High voltage can cause electric shock.
Turn off/unplug power before servicing.



High Temperature Hazard:

This part may cause scalding.
Do not touch. Surface may be hot.



No Touching Hazard:

This part may be hot or can cause electric shock.
Do not touch.



Use the following safety guidelines to help ensure your own personal safety and to help protect your equipment and surrounding environment from potential damage.

⚠️ This product is an indoor game machine. Do not install outdoors.

Avoid installing in the following places to prevent fire, electric shock, injury and/or machine malfunctioning:

- Places subject to rain/moisture, or places subject to high humidity.
- Places subject to direct sunlight, or places subject to extremely hot or cold temperatures to ensure that it is used within the specified operating range.
- Places where inflammable gas may be present or in the vicinity of highly inflammable/volatile chemicals or items that can easily catch fire.
- On unstable or sloped surfaces. The machine may topple or cause unforeseen accidents.
- Vicinity of fire exits, fire extinguishers etc that may block/prevent safety measures.

IMPORTANT NOTE:

ALL REPAIRS MUST BE DONE TO ORIGINAL MANUFACTURER SPECIFICATIONS. FAILURE TO DO SO VOID ALL WARRANTIES AND OPERATOR ASSUMES ALL RISKS.

Note: The contents of this manual may be updated without notice.

1. SPECIFICATIONS

Rated power supply: AC110V 50/60Hz; AC220V 50/60Hz (It is subject to the nameplate on the back of the machine.)

Min. Power consumption: 250W

Max. Power consumption: 300W

Dimension: W48.86×D60.16×H90.55 in

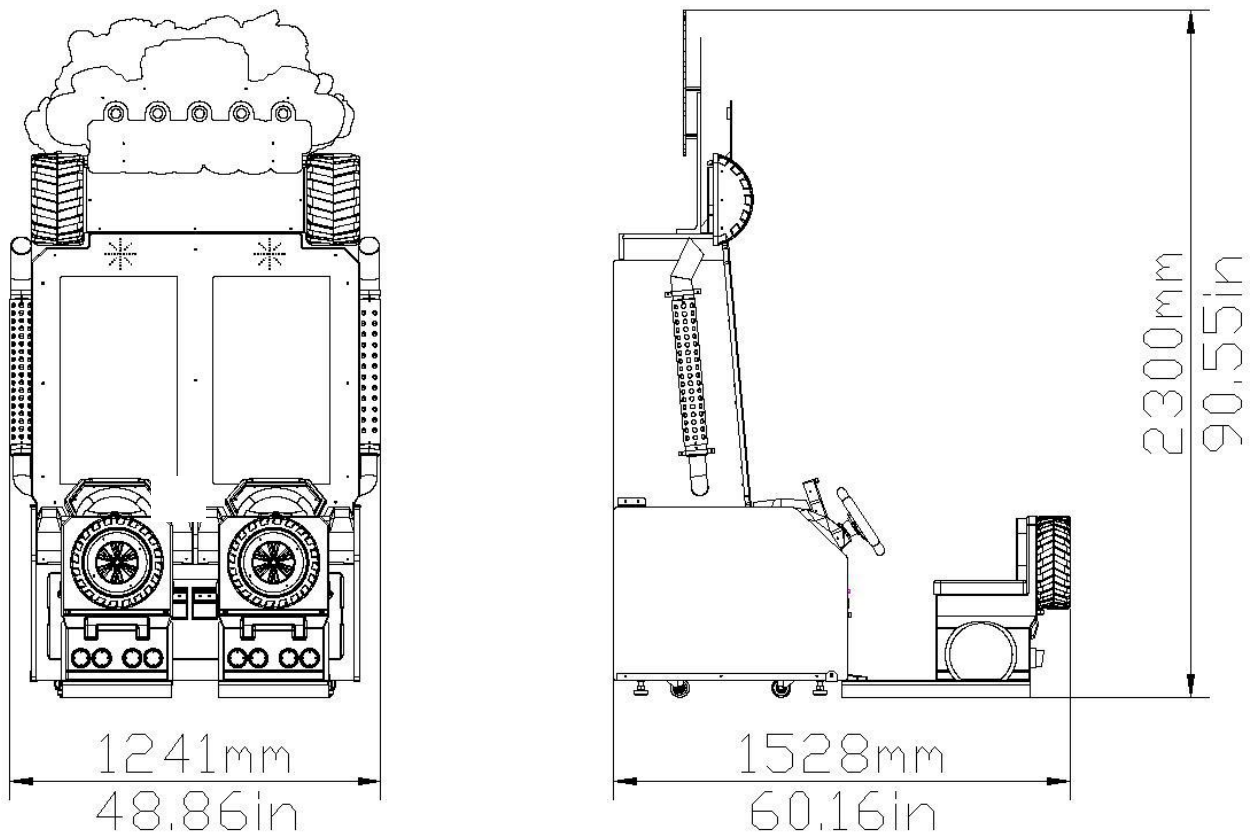
W1241 ×D1528 ×H2300 mm

Weight: Approximately 507.06 lb/230 kg

Part No: B138

Model No: C-630

! **NOTICE:** After turning off the game, please wait at least 1 minute before restarting again.








Note: Game specifications are subject to change without notice.

2. CONTENTS OF THE ACCESSORY KIT

Open the package and make sure all the items are included:

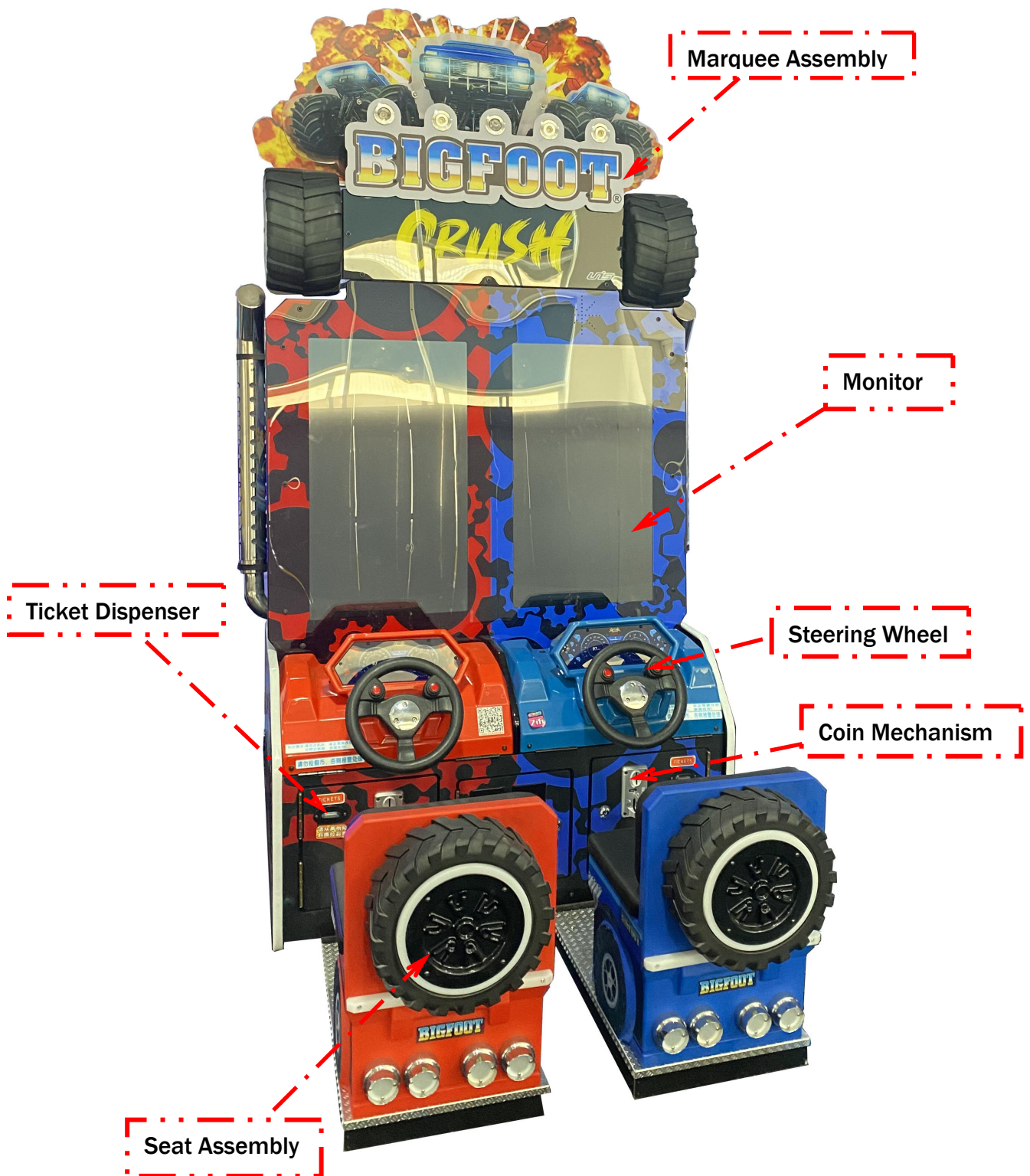
Following accessories

No.	Part No.	Code	Name	Picture	Qty
1	B138-0002-00	2.33.01.010020	Power cord 3×16AWG		1
2	B138-0342-00	2.19.01.000012	Fuse Φ5×20mm T5A/250VAC		1
3	B138-0004-00	4.14.40000360	Manual		1
4	B138-0005-00	2.53.00171002	171A key		2
5	B138-0006-00	2.53.00172002	171B key		2

NOTE: Part models are subject to change without notice.

3. PART NAME

Key Components



4. SET UP & INSTALLATION

⚠ NOTICE

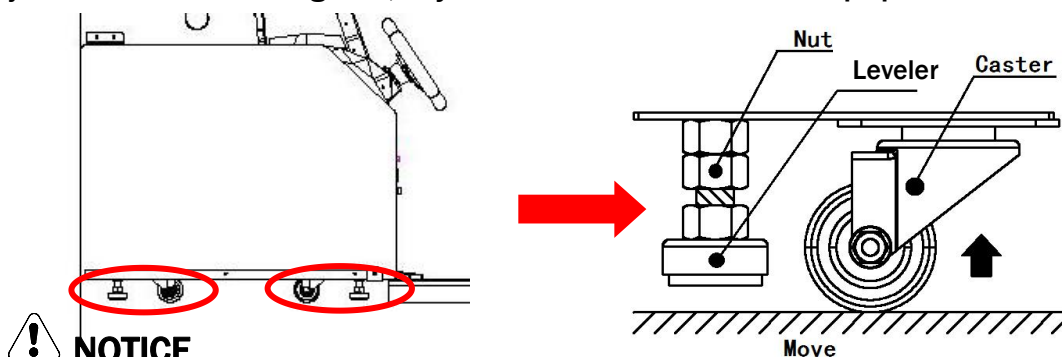
We do not recommend using power tools as they may cause damage.

⚠ **This product is an indoor game machine. Do not install outdoors.**

- Refer to IMPORTANT SAFETY INSTRUCTIONS (Pg. 3) for places to avoid.
- Place the unit on a dry level surface.
- Ventilation openings in the back of the unit must not be obstructed by objects or by wall.

4.1 Transporting the Game

If you need to move the game, adjust the levelers back to an “up” position.



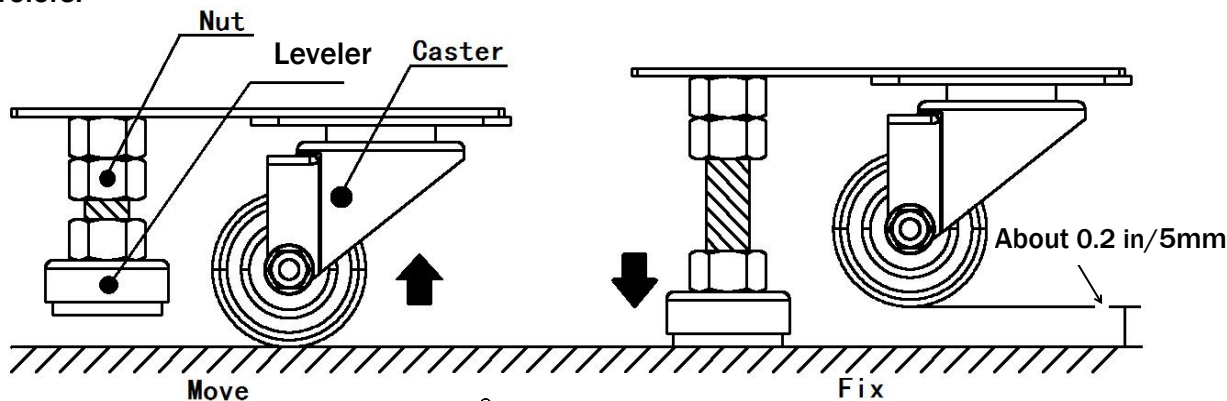
⚠ NOTICE

- Be careful not to damage the machine during transport.
- Always unplug the game before moving.
- Keep the machine in upright position during transport.
- For longer distance transport, package the game properly to prevent damages.

4.2 Level Adjustment

Install this game on a flat surface. If the game is installed on an unsuitable floor, it could cause game malfunction.

To secure the game, loosen the nut, utilize wrench to adjust the leveler down until it touches the floor, lifting the casters off the ground by 0.2 in/5mm. Repeat the same for all levelers.



⚠ NOTICE

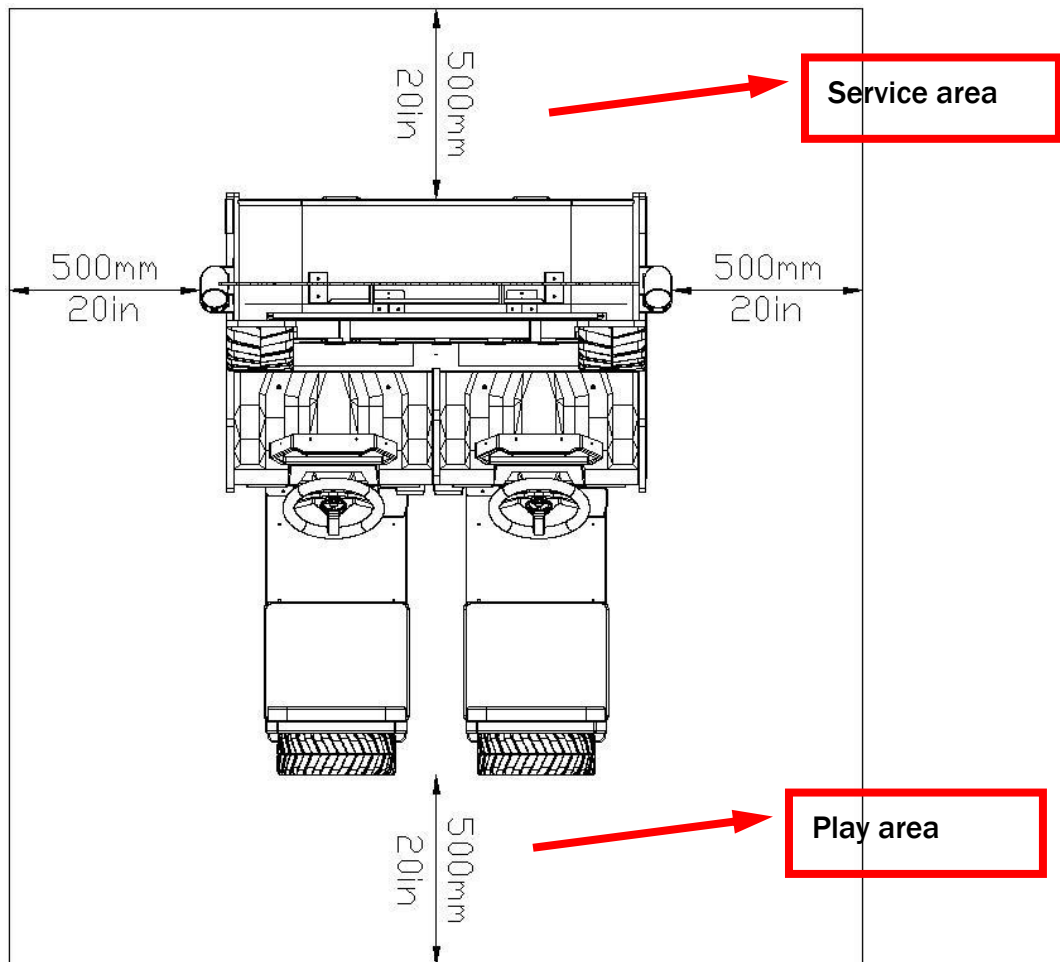
Make sure the machine is level.

4.3 Play Zone

This machine requires space for playing and for maintenance as shown below.

Leave space around the game upon installation:


Service area: 20 in



NOTICE

Your unit must be leveled to operate properly.

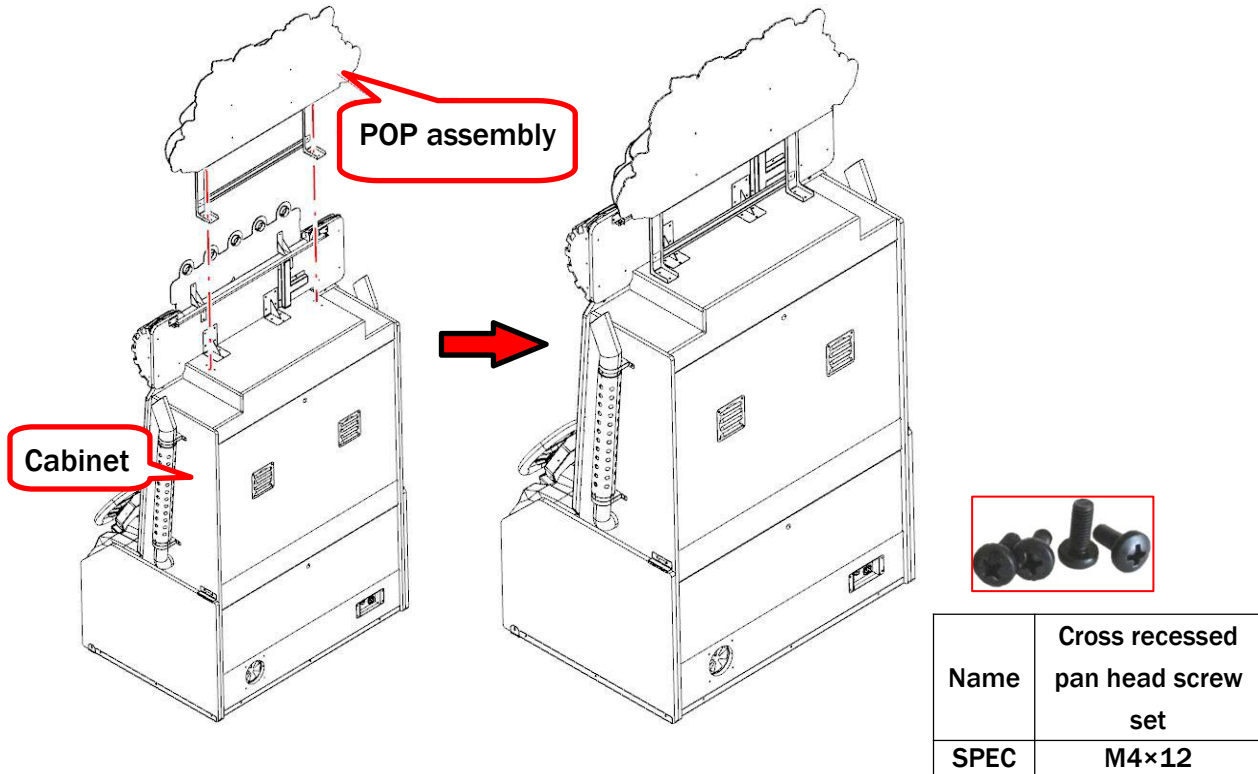
4.4 Card Reader Installation Safety Notice

 Take precaution to assure that all wiring voltages are confirmed prior to installation of card reader. All warranties are void if not properly installed resulting in logic board damage.

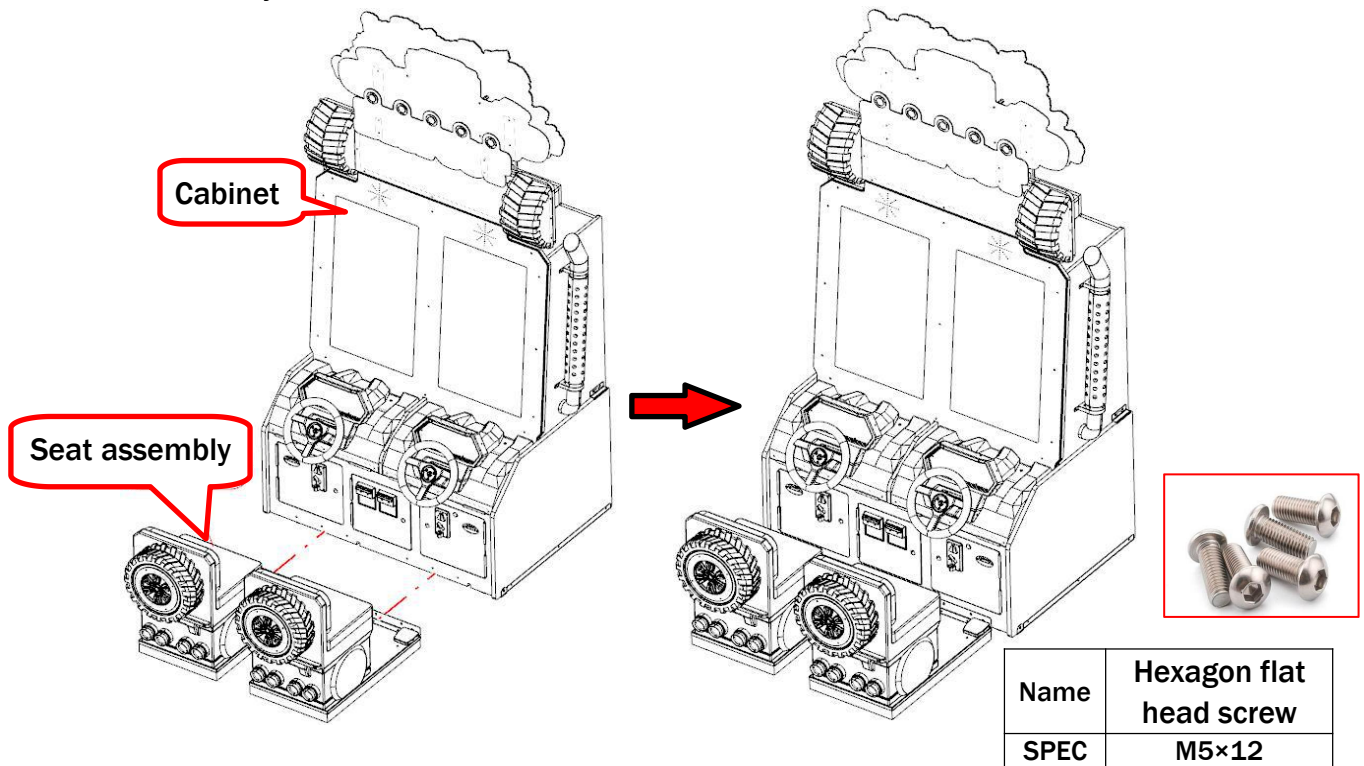
Important: This game is pre-wired to AAMA standards. It is highly recommended to utilize this wiring for Card reader installation.

4.5 Machine Installation

Step 1 Utilize screw sets to fix the POP assembly to the cabinet.



Step 2 Align the Car assembly with the cabinet. Connect all cables. Utilize screws to fix the Seat assembly to the cabinet.



Finish!

5. HOW TO PLAY

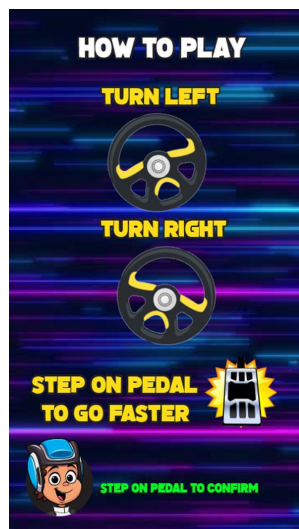
5.1 Insert coins to play. Turn the wheel to select car. Step on pedal to confirm.



5.2 Turn the wheel to select mode. Step on pedal to confirm.



5.3 Turn the wheel to control the car. Step on pedal to go faster.



5.4 About game:

Crush all cars to gain points

Crush BONUS Gold cars for extra points

Use the ramp to perform cool jumps and gain extra points!

First car to finish race wins the game!

Cars to be crushed

BONUS Car To be crushed

Crushed Cars



Score 得分

More cars to be crushed

Ramp

Tire Barrier

BIGFOOT – Player 1

Crushed Cars

Tip to use Pedal for speed

Obstacles to smash/collect:

Wooden Crate



Gold Coin



Ice



Obstacles to avoid:

Monster Truck



Rocks



Tree Stump

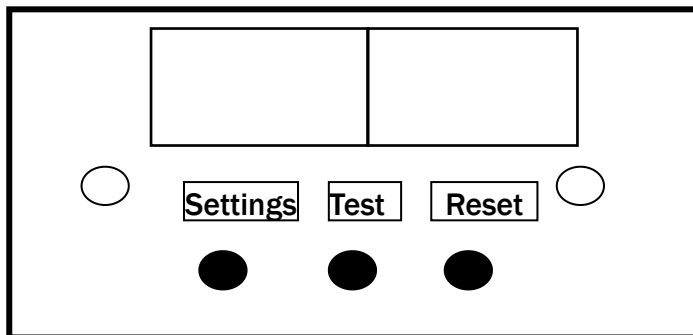


Getting in contact with these obstacles won't hurt you, but will slow you down



6. GAME OPTION

6.1 Adjustment button instruction



Open the coin door and there is a meter panel. Press Settings button to enter the setting menu.

6.2 Setting menu

6.2.1 Main menu

Basic Setting
Customized Setting
Input Test
Output Test
Steering Wheel Calibration
Game Reset
Date/Time Setting
Language/语言
Bookkeeping
Daily Record
Back to game

6.2.2 Basic Setting

Free Play	OFF_ON
Tickets Out	OFF_ON
Out Of Tickets	Store Tickets in Memory_Call Attendant
Demo Music	OFF_ON
Memory Save	OFF_ON
Volume	1_10
Coins Per Game	1_10
Pay Mode	Coins_Card_Insert Coins/Swipe Card
Back&Save	
Back	

6.2.3 Customized Setting

Multiplayer Join Time	5_20
Game Time	40~480
Divided By 2	OFF_ON
Fixed Ticket Mode	OFF_ON
Fixed Ticket	0~300
Rank 1ST Ticket	1_300
Rank 2nd Ticket	1_300
Back & Save	
Back	

6.2.4 Input Test

1P Coin
2P Coin
1P Steering Wheel
2P Steering Wheel
1P Accelerator Pedal
2P Accelerator Pedal
Back

6.2.5 Output Test

Side Light
Top Light
Seat Light
Seat Back Light
1P Ticket Drive
2P Ticket Drive
Back

6.2.6 Wheel Calibration

Turn Steering Wheel To The Center and Hold On, Press Accelerator Pedal To Save

Press Settings Button to Back

6.2.7 Game Reset

Factory Restore	CANCEL_CLEAR
Reset Basic Setting	CANCEL_CLEAR
Reset Customized Setting	CANCEL_CLEAR
Clear All Records	CANCEL_CLEAR
Clear Owed Tickets	CANCEL_CLEAR
Clear Unused Coins	CANCEL_CLEAR
Back	

6.2.8 Date/Time Setting

Year	2010-2100
Month	1-12
Day	1-31
Hour(24)	0-23
Minute	0-59
Second	0-59
Go Back & Save	
Back	

6.2.8 Bookkeeping

Player1	Coins	Tickets	Payout
1	0	0	0.00

Back

6.2.9 Daily Record

Date	Weekday	RunTime	Coins	Tickets	Payout
2014-06-06	Fri	00:01	0	0	0.00

Prev. Page
Next Page
Clear
Back

7. TROUBLESHOOTING


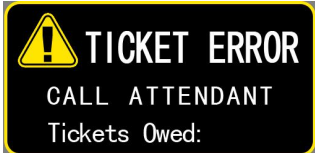
7.1 Common Problem

Please confirm that all connectors fit tightly.

Symptom	Possible Cause	Recommended action
Game will not start	Frame assembly connector is loose.	Check connector.
	Frame assembly fault	Contact with UNIS Service.
Power off	Circuit protector make power SW in off state.	Turn on power SW again. If appeared again and again, machine has anomaly. Please contact with UNIS Service.
No ticket dispensing	Out of ticket.	Add ticket and press reset button
	Ticket jamming.	Remove the jammed tickets and press reset button.
	The connector is loose.	Plug the connector tightly.
No sound	Low volume	Raise the volume.
	Connector loose.	Check connector.
	Speaker fault.	Check speaker.
	POT installation error.	Install POT correctly.
	POT fault.	Change POT.
	Audio cable problem.	Reconnect the audio cable or change it.
	PC crash.	Restart or system recovery.
Display black screen	Check connectors.	Plug in connector tightly
	Display fault.	Utilize another source such as a PC to verify if the display is operational.
	RAM is loose.	Remove and reinsert RAM.
Display blue screen	PC power cord is loose	Check PC power cord whether is loose.
	VGA signal cable is loose.	Check VGA cable
	PC video card is loose.	Reseat video card.
	“0X000000A” code appears. Conflict between computer drive and software.	Contact service

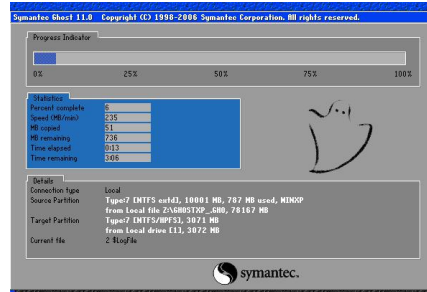
Note: After replacing component from PC (except for RAM), and replacing monitor, the game should be recovered again with the recovery stick attached to the machine.

If you see following error signs showing on the display, please try the recommended action.

Display	Possible Cause	Recommended action
	The connection part of the IO board and PC is loose.	Check and reconnect the loose part of the PC or IO board.
	Cable became loose during transport.	Check and reconnect the loose cables of the PC or IO board.
	Cable quality problem	Change the cable after checking the connection between IO board and PC.
	IO board is faulty.	Reboot the game after checking connection and cable problem, if the problem remains unresolved, please call the service department for assistance.
	Ticket jam	Remove jammed tickets.
	Out of ticket	Refill with tickets.
	Loose connection of the ticket dispenser	Check and reconnect the loose cables to the ticket dispenser.
	Ticket dispenser is faulty.	Change the ticket dispenser.

7.2 System Recovery Operation (NOTE: Do not disconnect power during this process.)

1. Turn off the game. Remove the recovery stick from the machine. (Note: This process may take up to 60 minutes) Insert the recovery stick into the port at the back of the computer.
2. Restart PC to enter the system recovery screen as shown.



3. The game will automatically start recovery.
4. Once system recovery is partially finished (as shown below), and the ICON appears, remove the recovery stick from the computer. The game will continue the install process.

OK to remove the recovery stick.



5. Assure that the recovery stick has been properly secured for future use.



WARNING: The recovery stick should only be used to fix software errors. Using it for other purposes may cause unexpected results and damages.

8. MAINTENANCE & INSPECTION

8.1 Safety Check

Check the points listed before operating the machine. These checks are necessary for safe machine operation:

1. Test game before operation each day.
2. Conduct monthly routine checks of game components to ensure good working condition.
3. Check the machine regularly for dust and clean when necessary.

Note: Parts and components require preventative maintenance to maintain proper operation.

8.2 Handling Precautions

When installing or inspecting the machine, be very careful and pay attention to ensure that the player can enjoy the game safely.

Inappropriate handling running counter to the cautionary matters can cause personal injury or damage to the machine.

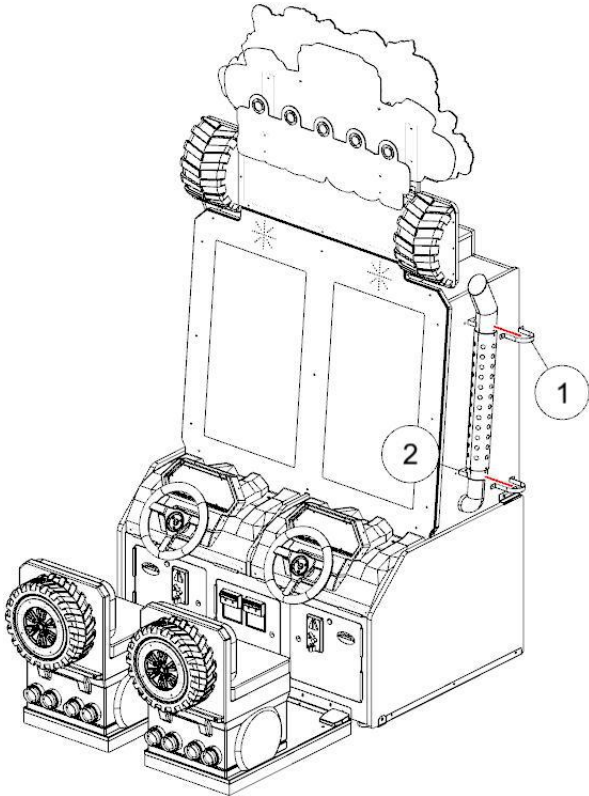


NOTICE

We do not recommend using power tools as they may cause damage.

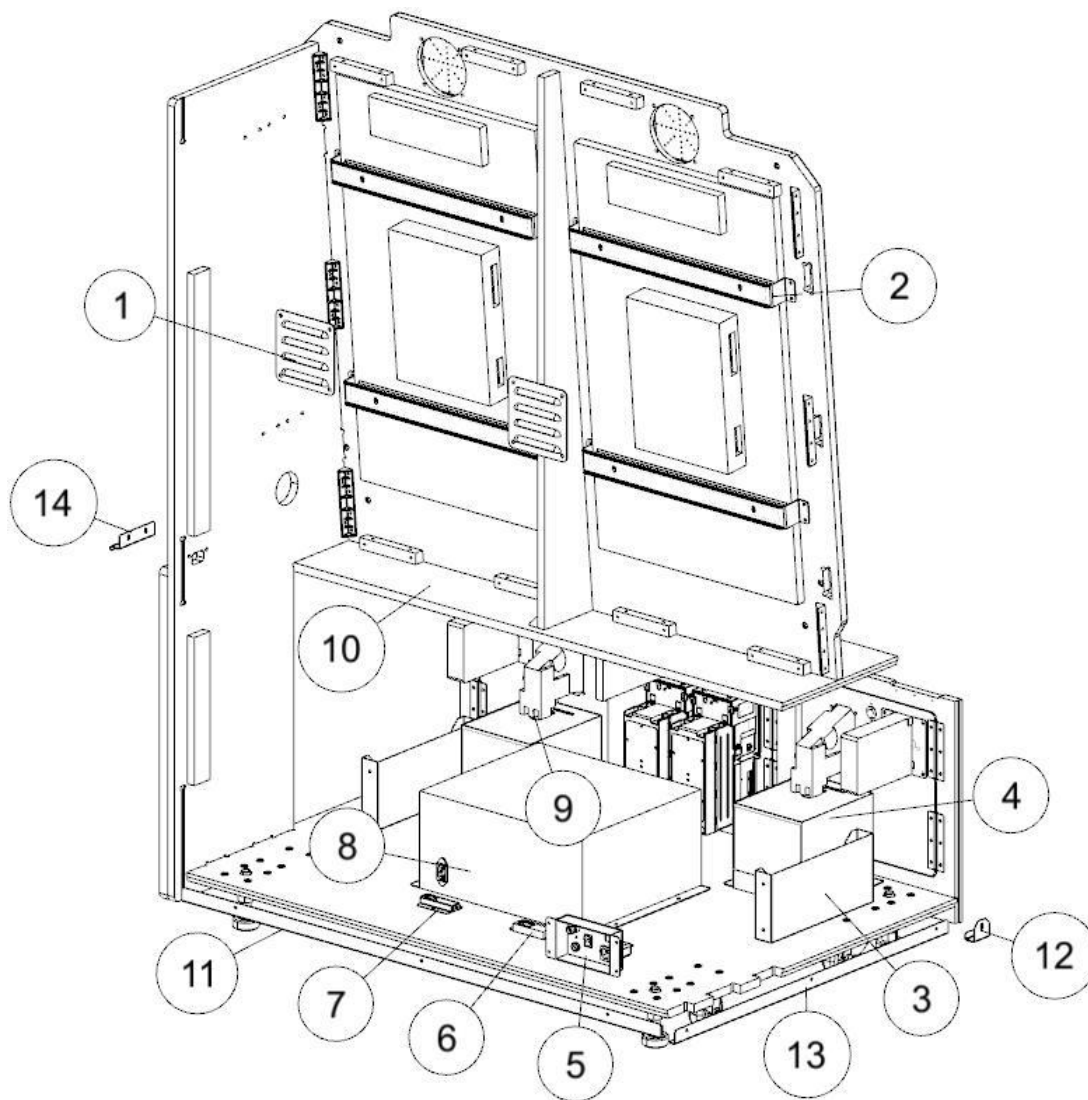
9. OVERALL CONSTRUCTION

9.1 General Assembly



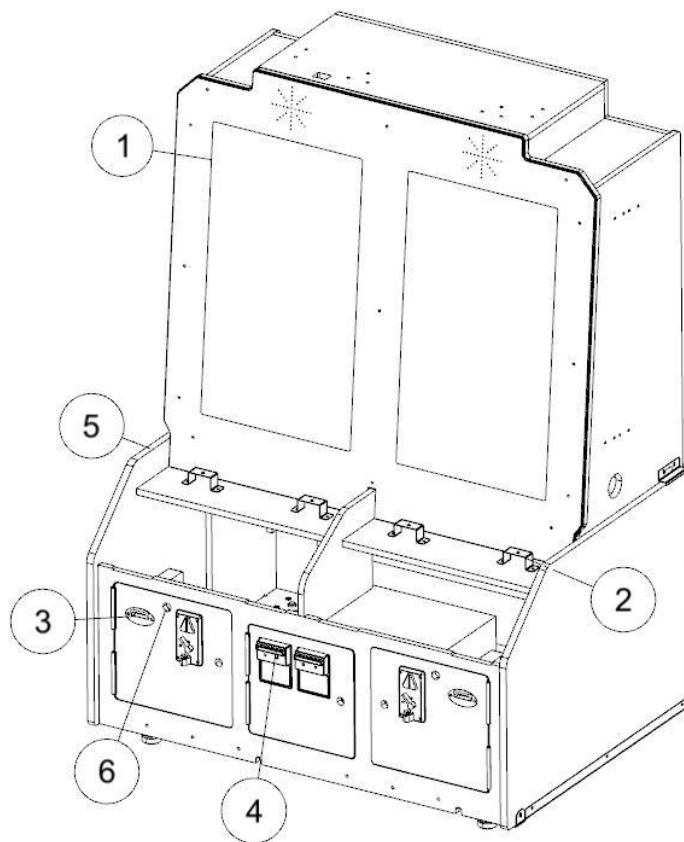
No.	Part No.	Code No.	Name	Version	Qty
1	B138-1101-00	202.4.2003.013	Pipe fixing plate	V1.1	4
2	B138-1102-00	206.4.2003.016	pipe plate	V1.1	4

9.2 Cabinet Assembly



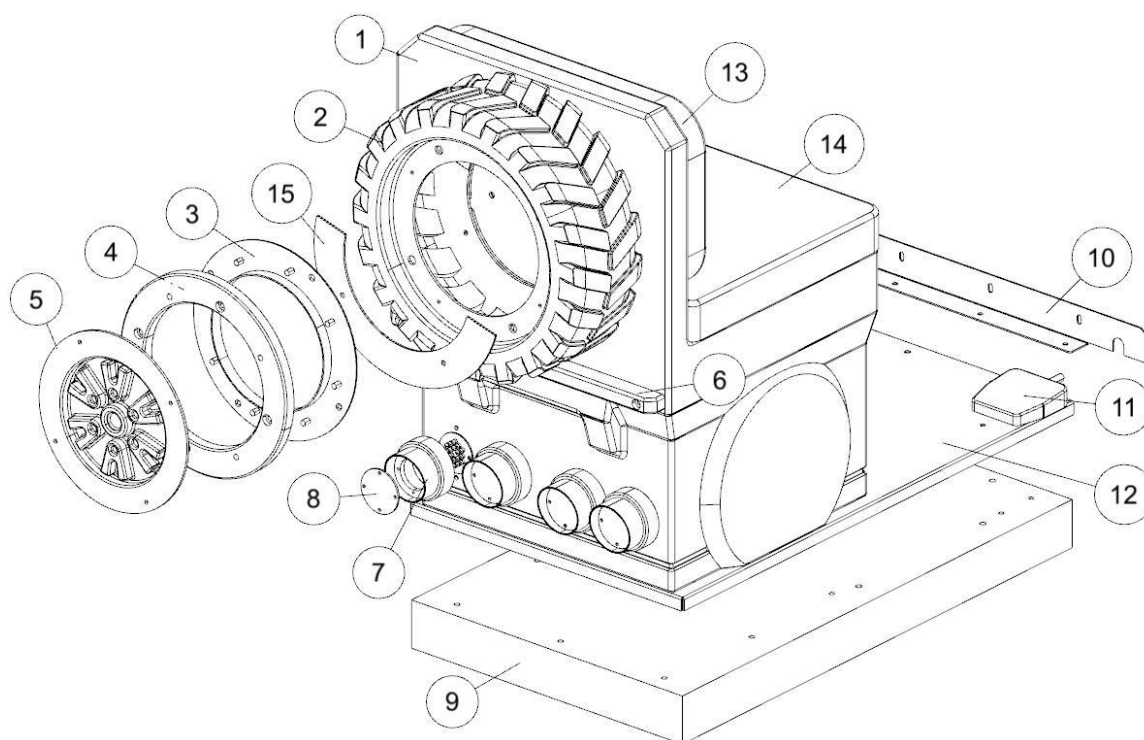
No.	Part No.	Code No.	Name	Version	Qty
1	B138-0278-00	2.60.00014000	Louver	V1.1	2
2	B138-0271-00	202.4.2003.031	Monitor mounting plate	V1.1	4
3	B138-0279-00	2.60.00007000	Ticket box	V1.1	2
4	B138-0280-00	202.4.2003.025	Coin outer box	V1.1	2
	B138-0281-00	202.4.2003.026	Coin inner box	V1.1	2
5	B138-0273-00	2.60.00042000B	Wiring box	V1.2	1
6	B138-0284-00	2.60.00064000	Recovery stick fixing plate	V1.1	1
7	B138-0296-00	202.4.2002.044	Power supply plate	V1.1	2
8	B138-0295-00	2.60.00061000	PC fixing plate	V1.1	1

No.	Part No.	Code No.	Name	Version	Qty
9	B138-0283-00	202.4.2003.038	Counter plate	V1.1	2
10	B138-0272-00	202.1.1707.041	Pressing plate(S)	V1.1	2
11	B138-0277-00	202.4.2003.024	Moulding plate 1	V1.1	2
12	B138-0269-00	202.4.2003.023	Light strip plate 1	V1.1	2
13	B138-0268-00	202.4.2003.022	Moulding plate 2	V1.1	2
14	B138-0267-00	202.4.2003.021	Light strip plate 2	V1.1	2



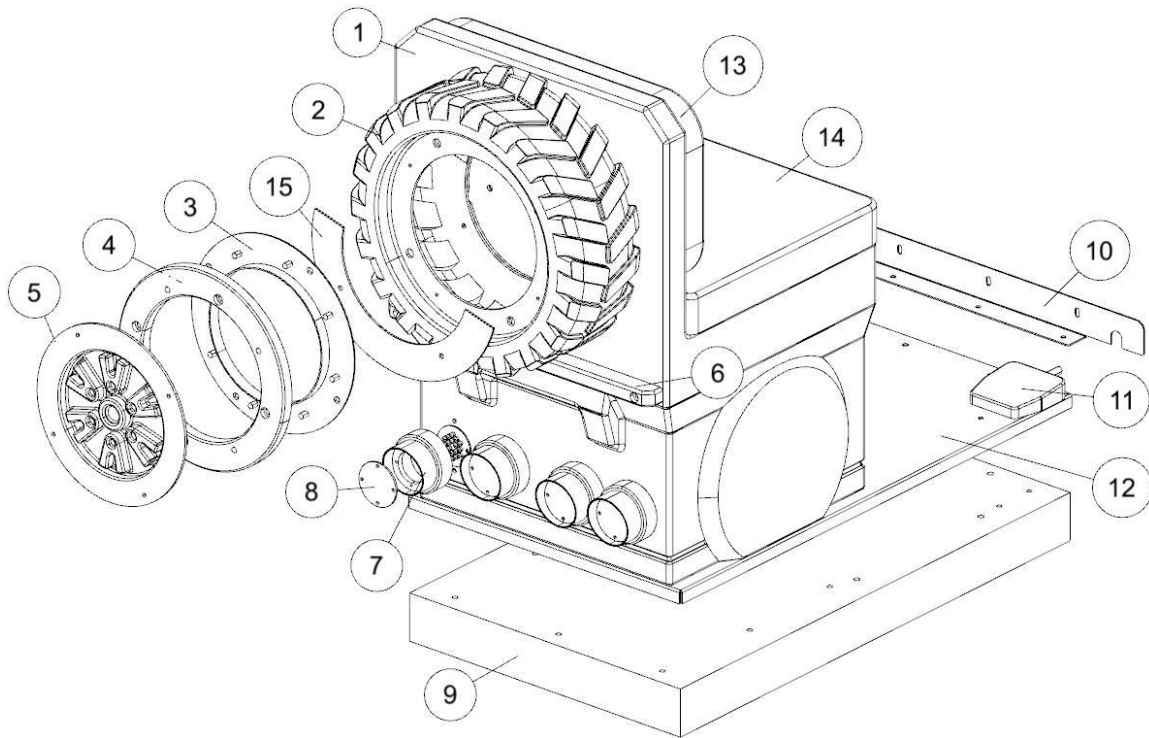
No.	Part No.	Code No.	Name	Version	Qty
1	B138-0202-00	205.4.2003.001	Display decal	V1.1	1
2	B138-0203-00	202.4.2003.020	Ctrl. panel fixing plate	V1.1	4
3	B138-0204-00	2.60.00051000	Ticket cover plate	V1.1	2
4	B138-0205-00	202.1.1905A.045	DBV plate	V1.1	2
5	B138-0270-00	4.05.01.020001	T type moulding plate	V1.1	2
6	B138-0282-00	2.60.00065000	Out of ticket light cover	V1.1	2

9.3 Red Seat Assembly



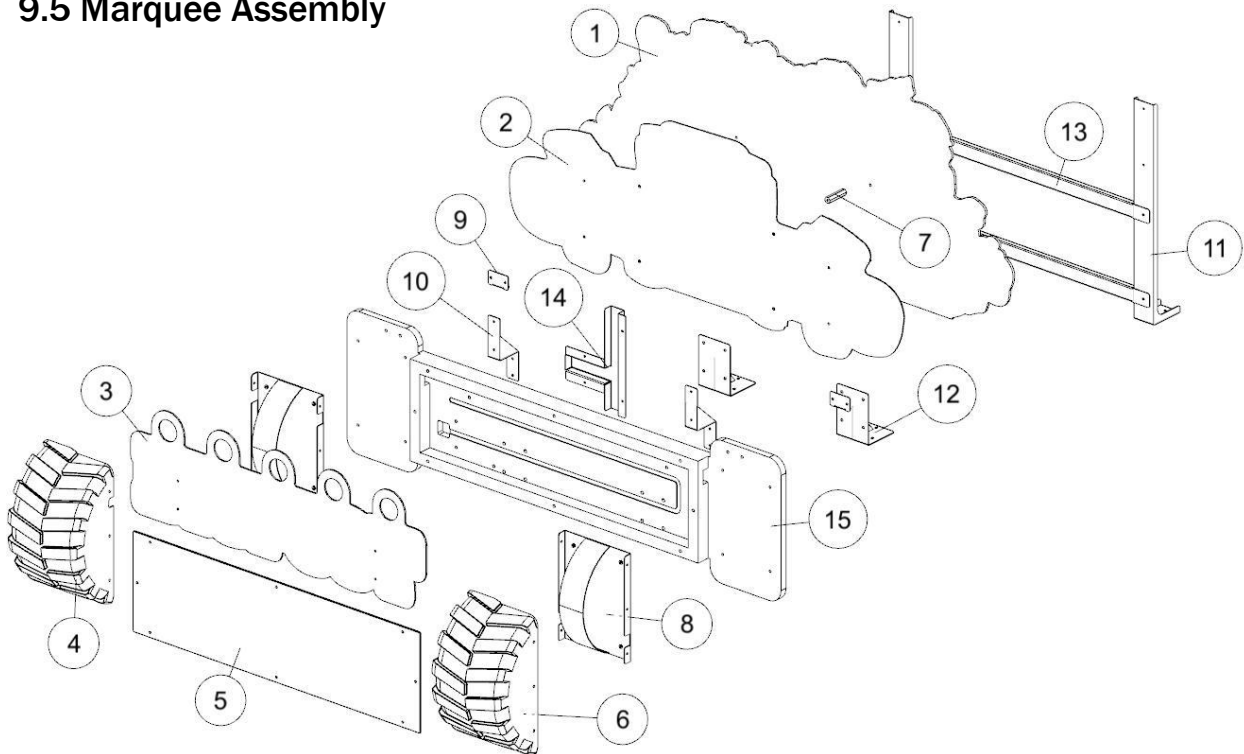
No.	Part No.	Code No.	Name	Version	Qty
1	B138-0902-00	206.4.2003.007	Red seat	V1.1	1
2	B138-0903-00	206.4.2003.008	Tyre	V1.1	1
3	B138-0904-00	202.4.2003.033	Tyre light fixing plate	V1.1	1
4	B138-0905-00	206.4.2003.018	Tyre light plate	V1.1	1
5	B138-0906-00	206.4.2003.009	Wheel shell	V1.1	1
6	B138-0907-00	206.4.2003.012	Seat back light plate	V1.1	1
7	B138-0908-00	206.4.2003.010	Tail gas pipe	V1.1	4
8	B138-0909-00	206.4.2003.013	Tail gas pipe light plate	V1.1	4
9	B138-0910-00	299.4.2003.011	Seat base plate	V1.1	1
10	B138-0917-00	202.4.2003.029	Seat connect plate	V1.1	1
11	B138-0918-00	206.4.2003.019	Pedal	V1.1	1
12	B138-0920-00	202.4.2003.037	Seat plate	V1.1	1
13	B138-0921-00	206.4.2003.014	Seat back cushion	V1.1	1
14	B138-0924-00	206.4.2003.015	Seat cushion	V1.1	1
15	B138-0927-00	202.4.2003.034	Tyre strengthen plate	V1.1	2

9.4 Blue Seat Assembly



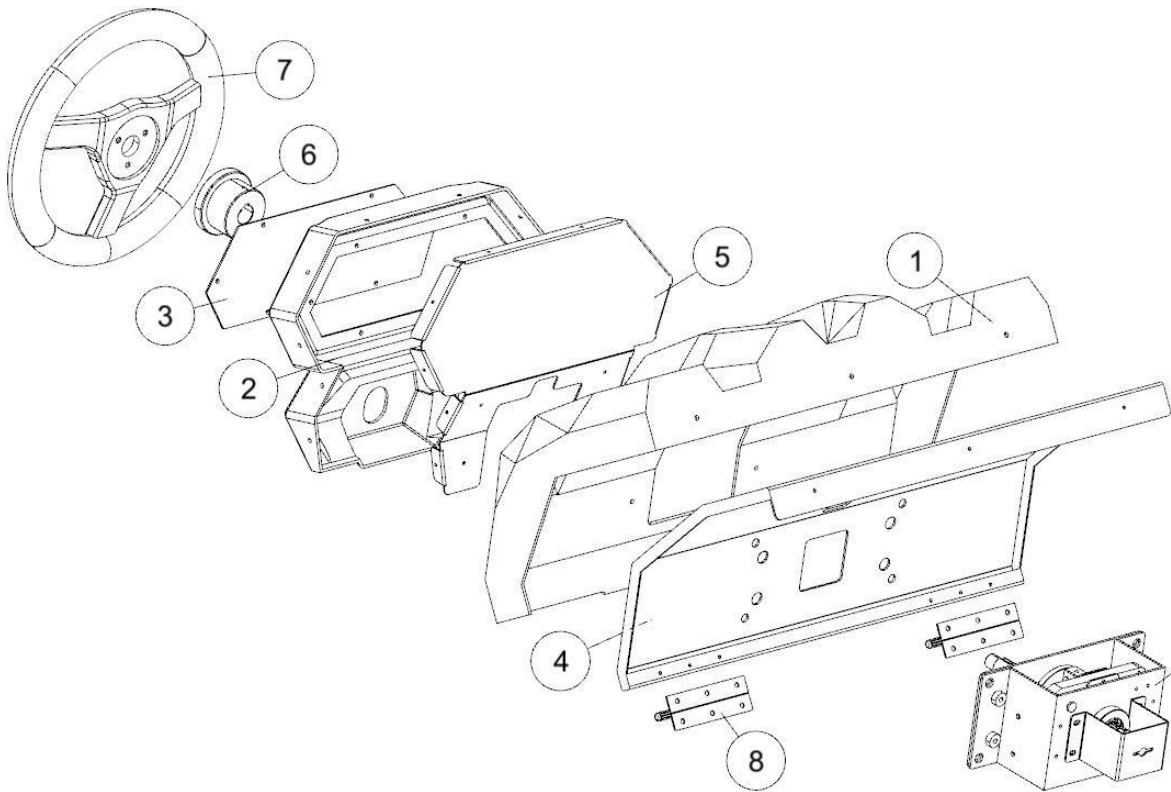
No.	Part No.	Code No.	Name	Version	Qty
1	B138-1002-00	206.4.2003.011	Blue seat	V1.1	1
2	B138-0903-00	206.4.2003.008	Tyre	V1.1	1
3	B138-0904-00	202.4.2003.033	Tyre light fixing plate	V1.1	1
4	B138-0905-00	206.4.2003.018	Tyre light plate	V1.1	1
5	B138-0906-00	206.4.2003.009	Wheel shell	V1.1	1
6	B138-0907-00	206.4.2003.012	Seat back light plate	V1.1	1
7	B138-0908-00	206.4.2003.010	Tail gas pipe	V1.1	4
8	B138-0909-00	206.4.2003.013	Tail gas pipe light plate	V1.1	4
9	B138-0910-00	299.4.2003.011	Seat base plate	V1.1	1
10	B138-0917-00	202.4.2003.029	Seat connect plate	V1.1	1
11	B138-0918-00	206.4.2003.019	Pedal	V1.1	1
12	B138-0920-00	202.4.2003.037	Seat plate	V1.1	1
13	B138-0921-00	206.4.2003.014	Seat back cushion	V1.1	1
14	B138-0924-00	206.4.2003.015	Seat cushion	V1.1	1
15	B138-0927-00	202.4.2003.034	Tyre strengthen plate	V1.1	2

9.5 Marquee Assembly

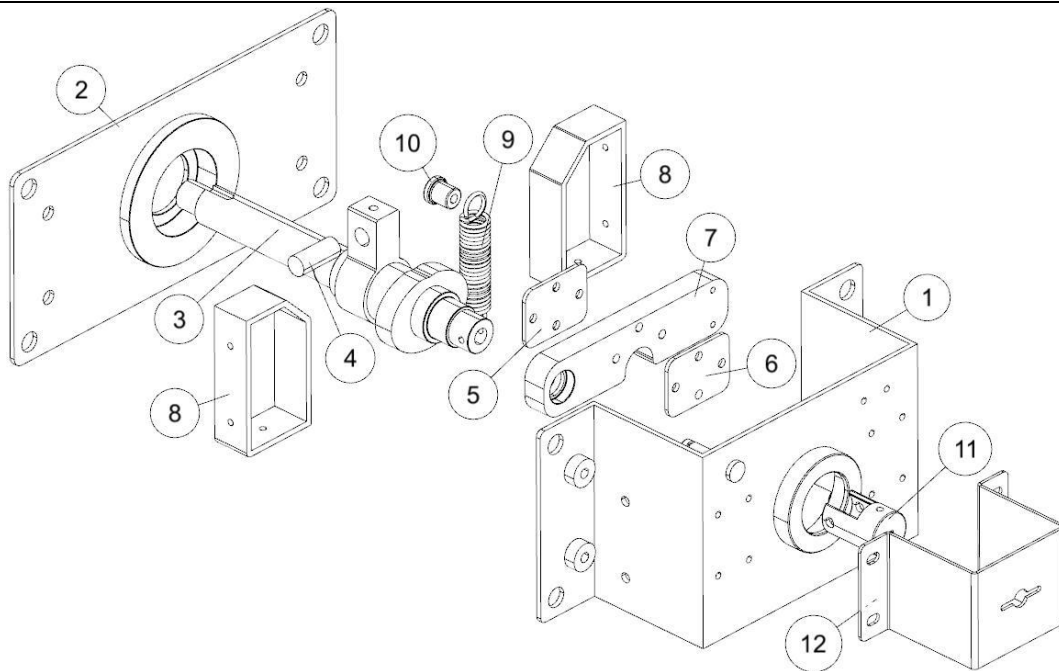


No.	Part No.	Code No.	Name	Version	Qty
1	B138-0102-00	205.4.2003.006	POP decal	V1.1	1
2	B138-0103-00	205.4.2003.002	Marquee decal	V1.1	1
3	B138-0104-00	205.4.2003.005	LOGO decal	V1.1	1
4	B138-0105-00	206.4.2003.001	L Tyre plastic	V1.1	1
5	B138-0106-00	205.4.2003.004	LOGO light plate decal	V1.1	1
6	B138-0107-00	206.4.2003.002	R Tyre plastic	V1.1	1
7	B138-0108-00	202.4.2003.036	Nut plate	V1.1	4
8	B138-0109-00	202.4.2003.030	Type light mounting plate	V1.1	2
9	B138-0110-00	202.4.2003.014	Mounting plate	V1.1	2
10	B138-0111-00	202.4.2003.015	Fixing plate	V1.1	2
11	B138-0112-00	202.4.2003.016	POP mounting plate	V1.1	2
12	B138-0113-00	202.4.2003.017	Middle fixing plate	V1.1	2
13	B138-0114-00	202.4.2003.018	POP fixing plate	V1.1	2
14	B138-0115-00	202.4.2003.019	Marquee wiring plate	V1.1	1
15	B138-0116-00	299.4.2003.002	Marquee plate	V1.1	1

9.6 Red Control Panel Assembly

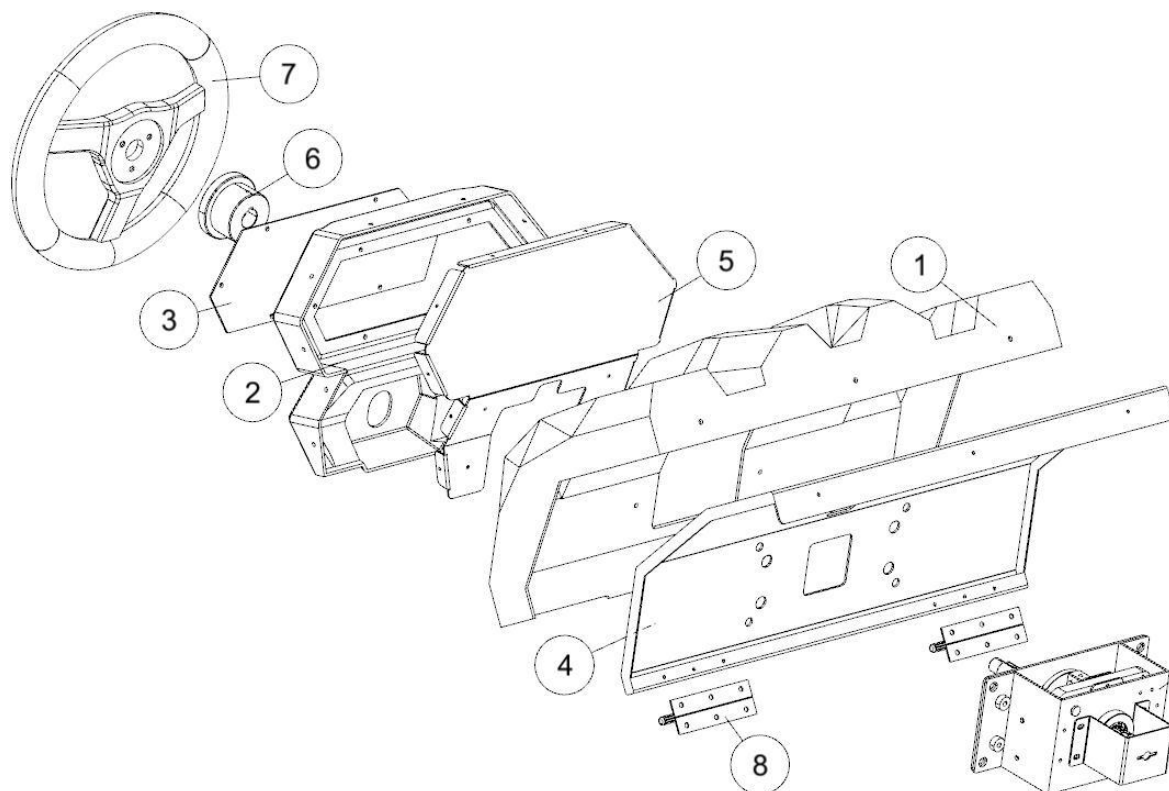


No.	Part No.	Code No.	Name	Version	Qty
1	B138-0702-00	206.4.2003.003	Red ctrl panel plastic	V1.1	1
2	B138-0703-00	206.4.2003.004	Red milometer plastic	V1.1	1
3	B138-0704-00	205.4.2003.003	Control panel L decal	V1.1	1
4	B138-0705-00	202.4.2003.027	Ctrl panel mounting plate	V1.1	1
5	B138-0706-00	202.4.2003.032	Milometer mounting plate	V1.1	1
6	B138-0707-00	202.4.13.17B.022	Wheel block	V1.1	1
	B138-0708-00	202.4.2003.028	Coupling block	V1.1	1
7	B138-0734-00	299.4.08.03.004	Wheel	V1.1	1

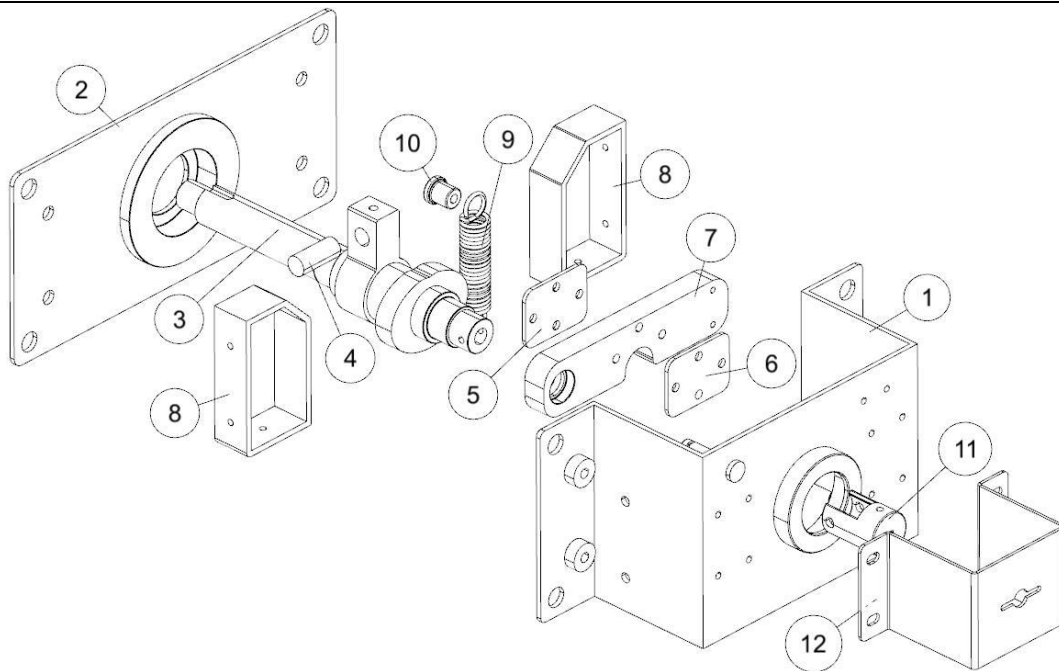


No.	Part No.	Code No.	Name	Version	Qty
1	B138-0710-00	202.4.13.17B.010	Vibration mounting base plate	V1.1	1
	B138-0711-00	201.06.000175	Deep groove bearing	V1.1	1
2	B138-0712-00	202.4.13.17B.011	Vibration mounting plate	V1.1	1
	B138-0711-00	201.06.000175	Deep groove bearing	V1.1	1
3	B138-0713-00	202.4.2003.012	Rotating shaft	V1.1	1
4	B138-0715-00	206.4.13.17B.002	Buffer rubber	V1.1	1
5	B138-0718-00	202.4.13.17.019	Bearing pressing plate	V1.1	1
6	B138-0719-00	202.4.13.17.020	Bearing supporting plate	V1.1	1
7	B138-0722-00	201.06.000312	Deep groove bearing	V1.1	2
	B138-0723-00	202.4.13.17.018	Pressing block	V1.1	1
8	B138-0725-00	202.4.13.17.025	Shaft locate block	V1.1	2
9	B138-0727-00	202.4.13.17.023	Spring	V1.1	1
10	B138-0729-00	202.4.13.17.024	Spring pressing plate	V1.1	1
11	B138-0731-00	202.4.13.17B.013	Coupling	V1.1	1
	B138-0733-00	206.4.13.17B.003	Wiring plate	V1.1	1
12	B138-0732-00	202.4.13.17B.014	POT mounting plate	V1.1	1

9.7 Blue Control Panel Assembly

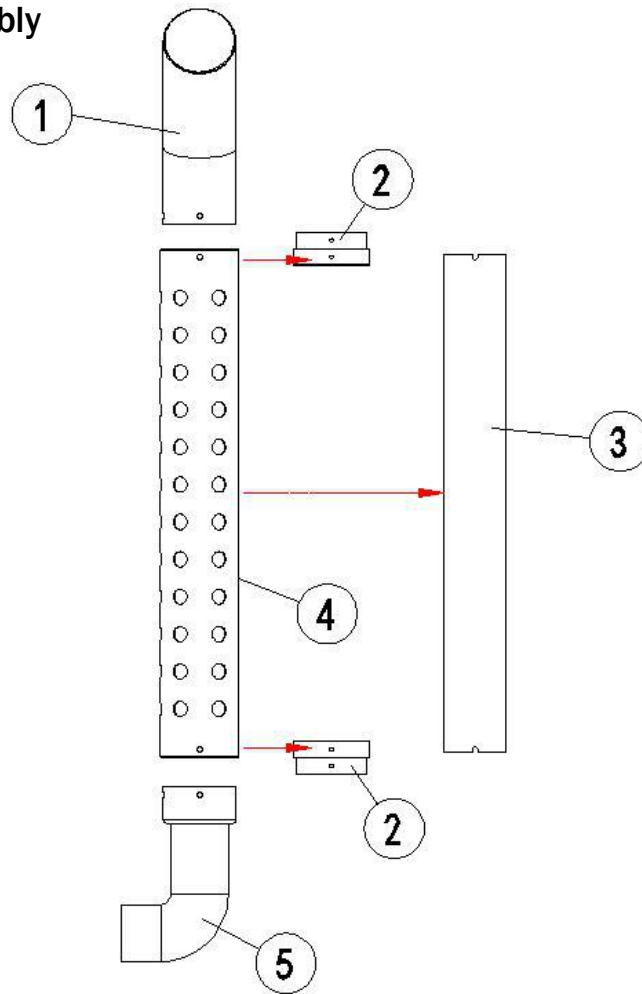


No.	Part No.	Code No.	Name	Version	Qty
1	B138-0802-00	206.4.2003.005	Blue ctrl panel plastic	V1.1	1
2	B138-0803-00	206.4.2003.006	Blue milometer plastic	V1.1	1
3	B138-0804-00	205.4.2003.007	Control panel R decal	V1.1	1
4	B138-0705-00	202.4.2003.027	Ctrl panel mounting plate	V1.1	1
5	B138-0706-00	202.4.2003.032	Milometer mounting plate	V1.1	1
6	B138-0707-00	202.4.13.17B.022	Wheel block	V1.1	1
	B138-0708-00	202.4.2003.028	Coupling block	V1.1	1
7	B138-0734-00	299.4.08.03.004	Wheel	V1.1	1



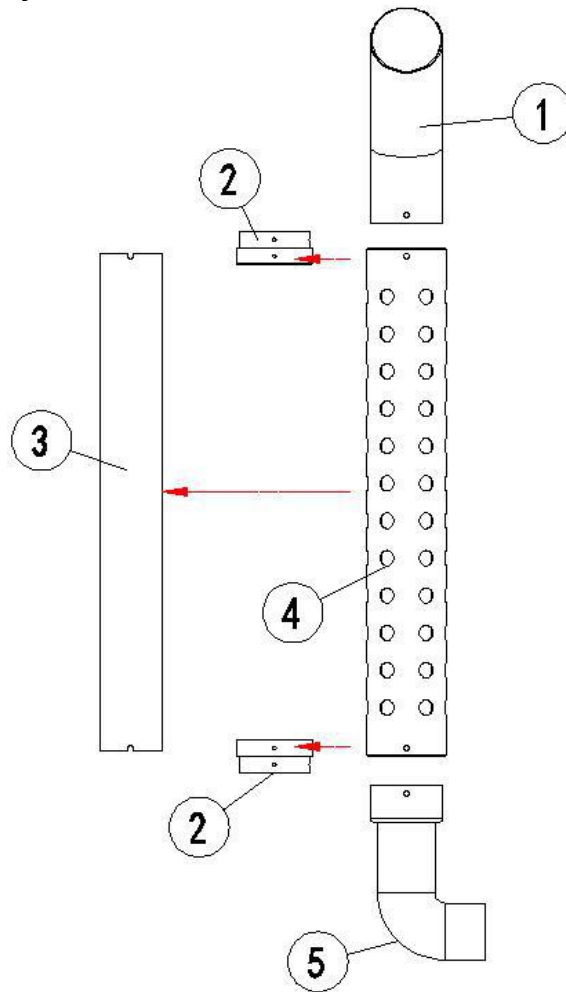
No.	Part No.	Code No.	Name	Version	Qty
1	B138-0710-00	202.4.13.17B.010	Vibration mounting base plate	V1.1	1
	B138-0711-00	201.06.000175	Deep groove bearing	V1.1	1
2	B138-0712-00	202.4.13.17B.011	Vibration mounting plate	V1.1	1
	B138-0711-00	201.06.000175	Deep groove bearing	V1.1	1
3	B138-0713-00	202.4.2003.012	Rotating shaft	V1.1	1
4	B138-0715-00	206.4.13.17B.002	Buffer rubber	V1.1	1
5	B138-0718-00	202.4.13.17.019	Bearing pressing plate	V1.1	1
6	B138-0719-00	202.4.13.17.020	Bearing supporting plate	V1.1	1
7	B138-0722-00	201.06.000312	Deep groove bearing	V1.1	2
	B138-0723-00	202.4.13.17.018	Pressing block	V1.1	1
8	B138-0725-00	202.4.13.17.025	Shaft locate block	V1.1	2
9	B138-0727-00	202.4.13.17.023	Spring	V1.1	1
10	B138-0729-00	202.4.13.17.024	Spring pressing plate	V1.1	1
11	B138-0731-00	202.4.13.17B.013	Coupling	V1.1	1
	B138-0733-00	206.4.13.17B.003	Wiring plate	V1.1	1
12	B138-0732-00	202.4.13.17B.014	POT mounting plate	V1.1	1

9.8 R Pipe Assembly



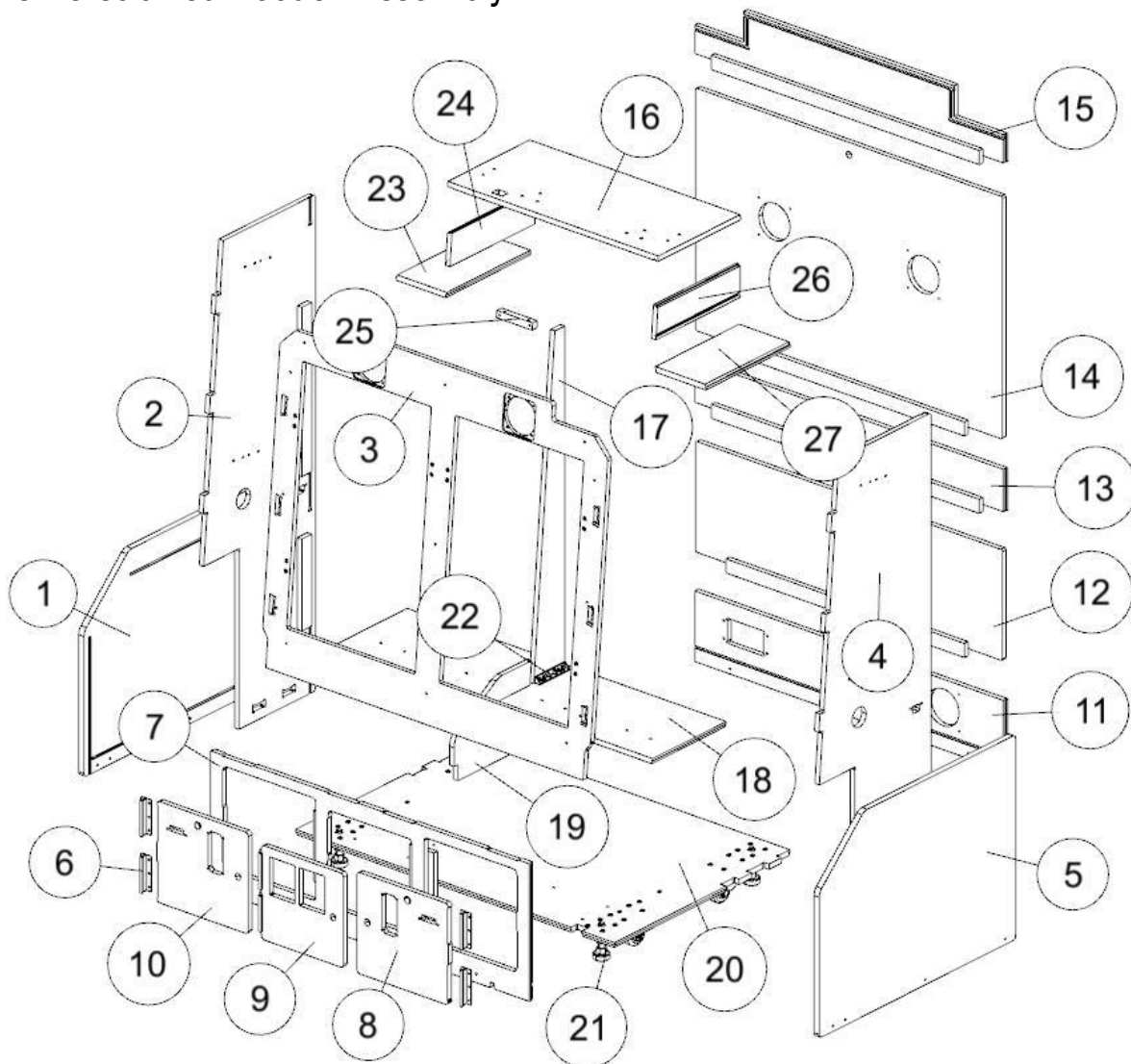
No.	Part No.	Code No.	Name	Version	Qty
1	B138-0502-00	202.4.2003.009	Upper pipe	V1.1	1
2	B138-0503-00	202.4.2003.035	Pipe connect plate	V1.1	2
3	B138-0504-00	206.4.2003.017	Pipe light plastic	V1.1	1
4	B138-0505-00	202.4.2003.010	Middle pipe	V1.1	1
5	B138-0506-00	202.4.2003.011	Bottom pipe	V1.1	1

9.9 L Pipe Assembly



No.	Part No.	Code No.	Name	Version	Qty
1	B138-0502-00	202.4.2003.009	Upper pipe	V1.1	1
2	B138-0503-00	202.4.2003.035	Pipe connect plate	V1.1	2
3	B138-0504-00	206.4.2003.017	Pipe light plastic	V1.1	1
4	B138-0505-00	202.4.2003.010	Middle pipe	V1.1	1
5	B138-0506-00	202.4.2003.011	Bottom pipe	V1.1	1

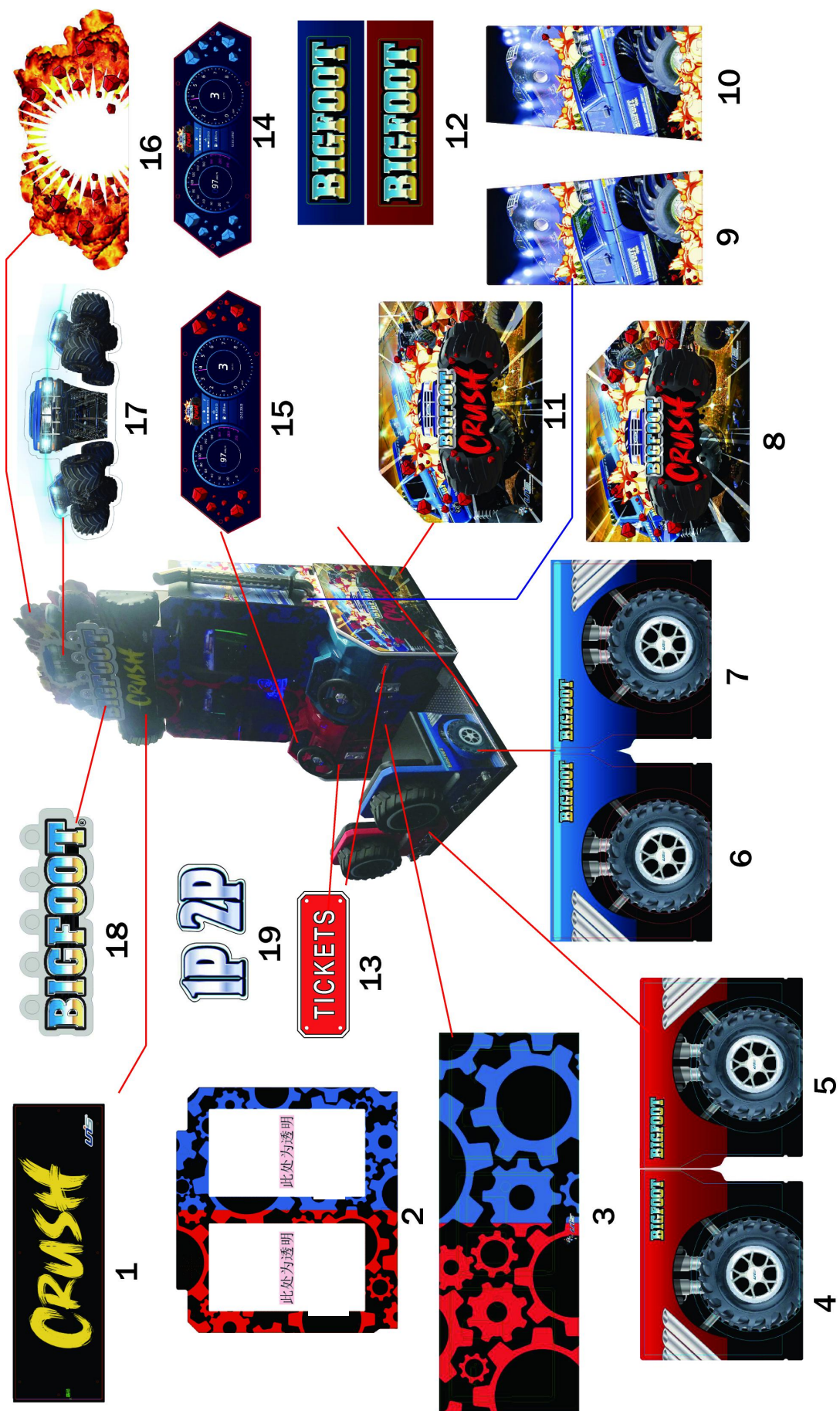
9.10 Cabinet Wooden Assembly



No.	Part No.	Code No.	Name	Version	Qty
1	B138-0207-00	203.4.2003.007	L side bottom board	V1.1	1
2	B138-0210-00	203.4.2003.008	L side upper board	V1.1	1
3	B138-0213-00	203.4.2003.009	Monitor board	V1.1	1
4	B138-0217-00	203.4.2003.010	R side upper board	V1.1	1
5	B138-0220-00	203.4.2003.011	R side bottom board	V1.1	1
6	B138-0223-00	2.63.00.040004	Hinge	V1.1	6
7	B138-0224-00	203.4.2003.012	Front bottom board	V1.1	1
8	B138-0226-00	203.4.2003.013	R coin door	V1.1	1
	B138-0294-00	2.53.00172001	171B lock	V1.1	1

No.	Part No.	Code No.	Name	Version	Qty
9	B138-0229-00	203.4.2003.014	DBV mounting board	V1.1	1
	B138-0231-00	2.53.00171001	171A lock	V1.1	1
10	B138-0232-00	203.4.2003.015	L coin door	V1.1	1
	B138-0294-00	2.53.00172001	171B lock	V1.1	1
11	B138-0235-00	203.4.2003.016	Back bottom base board	V1.1	1
12	B138-0237-00	203.4.2003.017	Back bottom board	V1.1	1
13	B138-0238-00	203.4.2003.018	Back middle board	V1.1	1
14	B138-0239-00	203.4.2003.019	Back upper board	V1.1	1
15	B138-0241-00	203.4.2003.020	Back top board	V1.1	1
16	B138-0242-00	203.4.2003.021	Top board	V1.1	1
17	B138-0245-00	203.4.2003.022	Monitor fixing board	V1.1	1
18	B138-0246-00	203.4.2003.023	Monitor support board	V1.1	1
19	B138-0248-00	203.4.2003.024	Monitor clapboard	V1.1	1
20	B138-0250-00	203.4.2003.001	Base board	V1.1	1
21	B138-0254-00	2.60.00010000	Caster bracket	V1.1	4
	B138-0256-00	2.55.01.000047	2.5" caster	V1.1	4
	B138-0257-00	2.60.00008000	Caster leveller	V1.1	4
22	B138-0260-00	2.60.00067000	Corner	V1.1	42
23	B138-0261-00	203.4.2003.025	L top board	V1.1	1
24	B138-0262-00	203.4.2003.026	Top L side board	V1.1	1
25	B138-0263-00	203.4.2003.033	Batten	V1.1	8
26	B138-0264-00	203.4.2003.027	Top R side board	V1.1	1
27	B138-0265-00	203.4.2003.028	R top board	V1.1	1

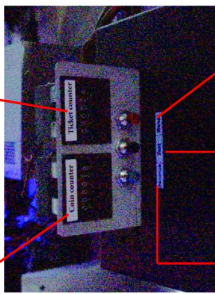
9.11 Decals



No.	Part No.	Code No.	Name	Version	Qty
1	B138-0106-00	205.4.2003.004	LOGO light plate decal	V1.1	1
2	B138-0202-00	205.4.2003.001	Display decal	V1.1	1
3	B138-0298-00	205.4.2003.008	Coin mechanism assembly decal	V1.1	1
4	B138-0973-00	205.4.2003.012	Red seat L decal	V1.1	1
5	B138-0972-00	205.4.2003.011	Red seat R decal	V1.1	1
6	B138-1071-00	205.4.2003.014	Blue seat L decal	V1.1	1
7	B138-1070-00	205.4.2003.013	Blue seat R decal	V1.1	1
8	B138-0299-00	205.4.2003.009	L decal	V1.1	1
9	B138-0301-00	205.4.2003.015	L up decal	V1.1	1
10	B138-0302-00	205.4.2003.016	R up decal	V1.1	1
11	B138-0300-00	205.4.2003.010	R decal	V1.1	1
12	B138-0970-00	205.4.2003.017	Seat back decal	V1.1	1
13	B138-0328-00	2.56.00.000034	Ticket decal	V1.1	1
14	B138-0804-00	205.4.2003.007	Control panel R decal	V1.1	2
15	B138-0704-00	205.4.2003.003	Control panel L decal	V1.1	1
16	B138-0102-00	205.4.2003.006	POP decal	V1.1	1
17	B138-0103-00	205.4.2003.002	Marquee decal	V1.1	1
18	B138-0104-00	205.4.2003.005	LOGO decal	V1.1	1
19	B138-0764-00	205.4.2003.019	1P&2P decal	V1.1	1

Coin counter 1

Ticket counter 2



Service 3
Reset 4

Settings 5

主显示器显示区

13	14	15	16	17	18	19	20	21	22
23	24	25	26	27	28	29	30	31	32

次显示器显示区

33	34	35	36	37	38	39	40	41	42
43	44	45	46	47	48	49	50	51	52

主显示器显示区

53	54	55	56	57	58	59	60	61	62
63	64	65	66	67	68	69	70	71	72

6

+12V	+12V
Coin signal	Coin signal
Ticker drive	Ticker drive
Ticket signal	Ticket signal
GND	GND

7

RECOVERY STICK 8

INDOOR MACHINE

NAME:	Big Foot Crush GMP
MODEL:	C-630
S/N:	
VOLTAGE:	AC220V~240V~
DATE:	

Zhongshan UNIS Technology Co.,LTD

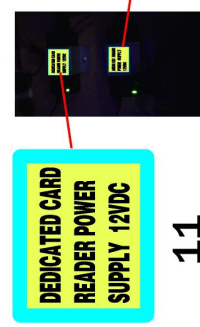
13

INDOOR MACHINE

NAME:	Big Foot Crush GMP
MODEL:	C-630
S/N:	
VOLTAGE:	AC110V~
DATE:	

Zhongshan UNIS Technology Co.,LTD

12



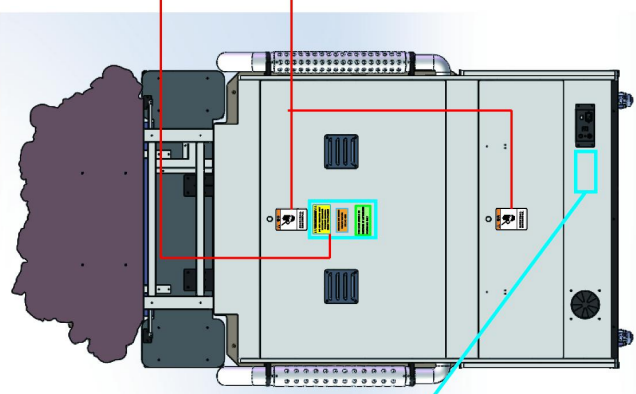
DEDICATED CARD READER POWER SUPPLY 12VDC 11

NOTE: PLEASE PRECAUTION TO ASSURE THAT THE VOLTAGES ARE CONFIRMED PRIOR TO INSTALLATION OF ALL WIRING. IF NOT PROPERLY INSTALLED, RESULTING IN LOGIC BOARD DAMAGE.

10

CAUTION ! DBV 110V 9

9



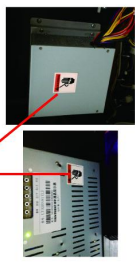
FOR PARTS AND SERVICE CONTACT UNIS USA 972 241 4263 24

/// WARNING!!! DO NOT SERVICE UNIT WITHOUT READING OWNERS MANUAL HIGH VOLTAGE!!! 25

THIS GAME SHOULD BE SERVICED BY AUTHORIZED PERSONNEL ONLY 26

WARNING High voltage can cause an electric shock. Turn off power before servicing. 22

WARNING 23

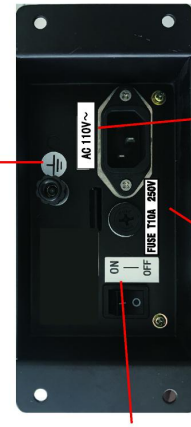


- Volume + 21



20

ON OFF 16



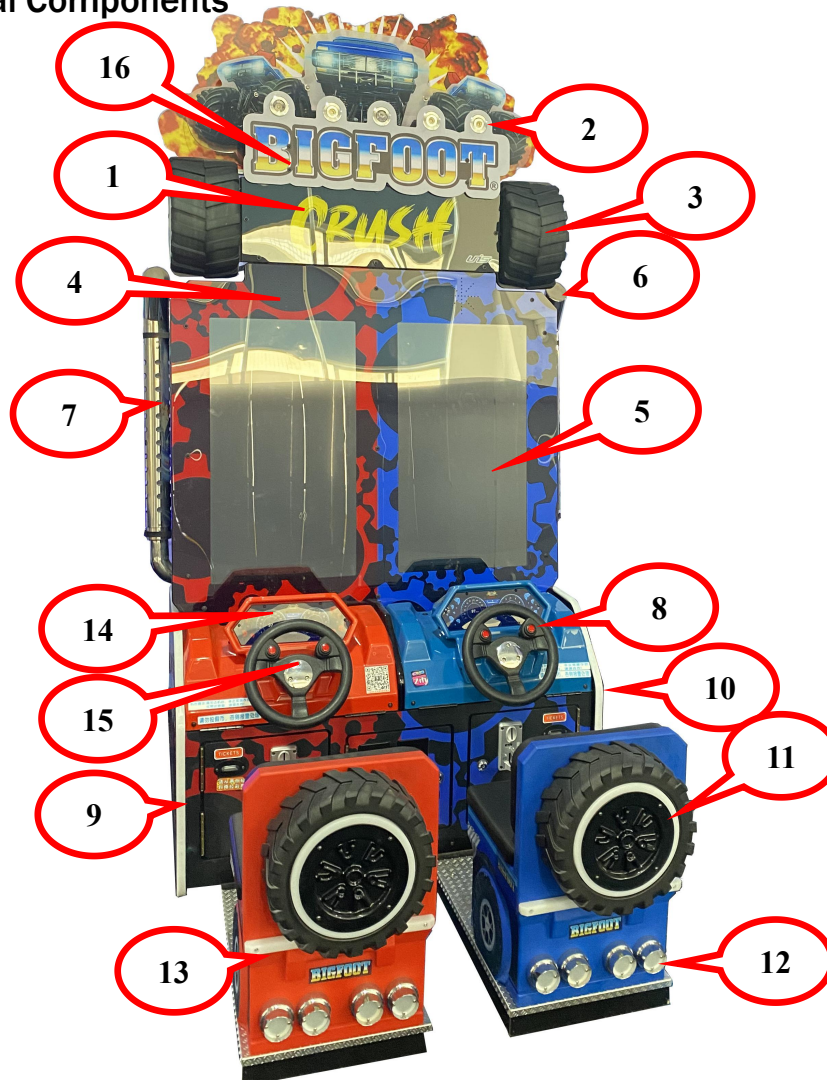
FUSE T6.3A 250V 17

AC 110V~ 19

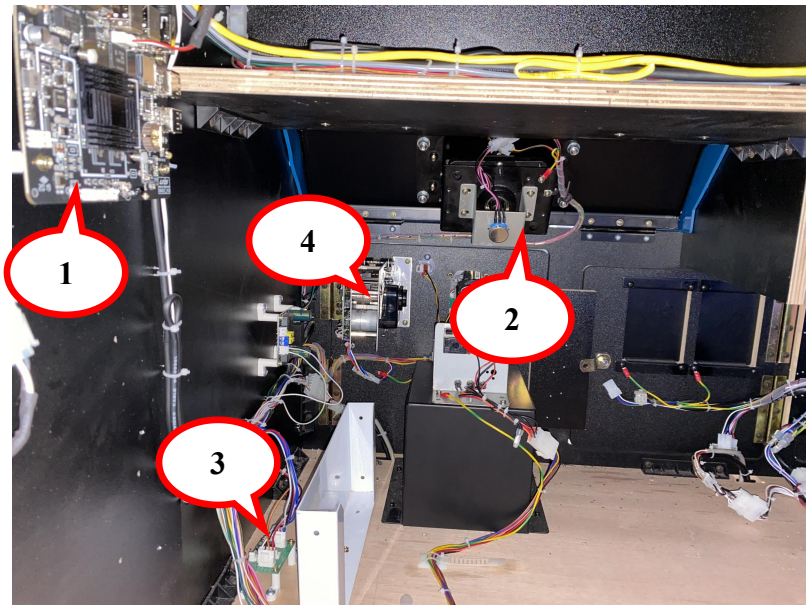
AC 220V~ 18

No.	Part No.	Code No.	Name	Version	Qty
1	B138-0321-00	2.56.00.000001	Coin counter decal	V1.1	2
2	B138-0322-00	2.56.00.000002	Ticket counter decal	V1.1	2
3	B138-0325-00	2.56.00.000009	Service decal	V1.1	2
4	B138-0324-00	2.56.00.000006	Reset decal	V1.1	2
5	B138-0326-00	2.56.00.000092	Settings decal	V1.1	2
6	B138-0318-00	205.4.2003.022	Wiring decal	V1.1	1
7	B138-0317-00	205.1.1707H.016	AAMA decal	V1.1	1
8	B138-0307-00	2.56.00.000116	Recovery stick decal	V1.1	1
9	B138-0319-00	2.56.00.000117	DBV warning decal	V1.1	1
10	B138-0305-00	205.1.1707K.020	AAMA warning decal	V1.1	1
11	B138-0306-00	205.1.1605A.040	Adapter decal	V1.1	1
12	B138-0304-00	205.4.2003.021	110V nameplate	V1.1	1
13	B138-0303-00	205.4.2003.020	220V nameplate	V1.1	4
14	B138-0316-00	2.56.00.000096	Service decal(S)	V1.1	2
15	B138-0320-00	205.4.2003.023	Android board adapter decal	V1.1	1
16	B138-0308-00	2.56.00.000016	Power SW decal	V1.1	1
17	B138-0327-00	2.56.00.000076	Fuse decal	V1.1	1
18	B138-0314-00	2.56.00.000072	220V decal	V1.1	1
19	B138-0313-00	2.56.00.000071	110V decal	V1.1	1
20	B138-0349-00	2.56.00.000091	GND label	V1.1	1
21	B138-0323-00	2.56.00.000003	Volume decal	V1.1	1
22	B138-0310-00	2.56.00.000037	High voltage label(L)	V1.1	2
23	B138-0309-00	2.56.00.000036	High voltage label(S)	V1.1	3
24	B138-0315-00	2.56.00.000095	Service decal(L)	V1.1	1
25	B138-0312-00	2.56.00.000067	Service decal(yellow)	V1.1	1
26	B138-0311-00	2.56.00.000042	Service decal(green)	V1.1	1

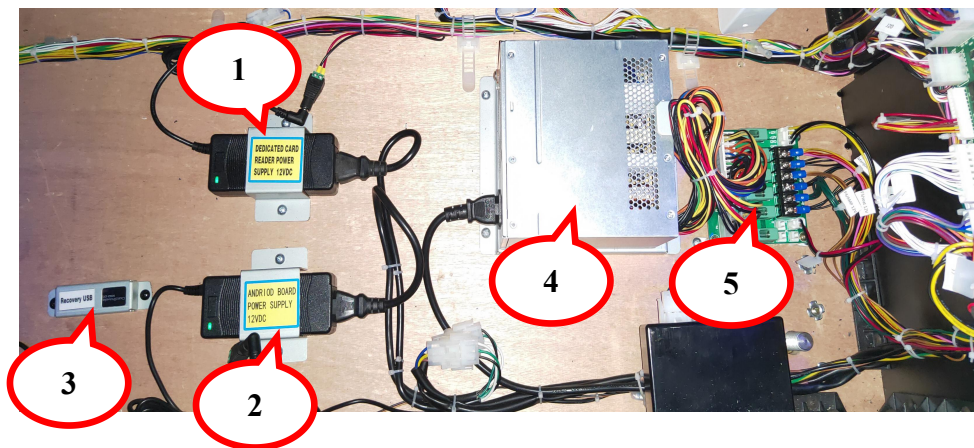
9.12 Electrical Components



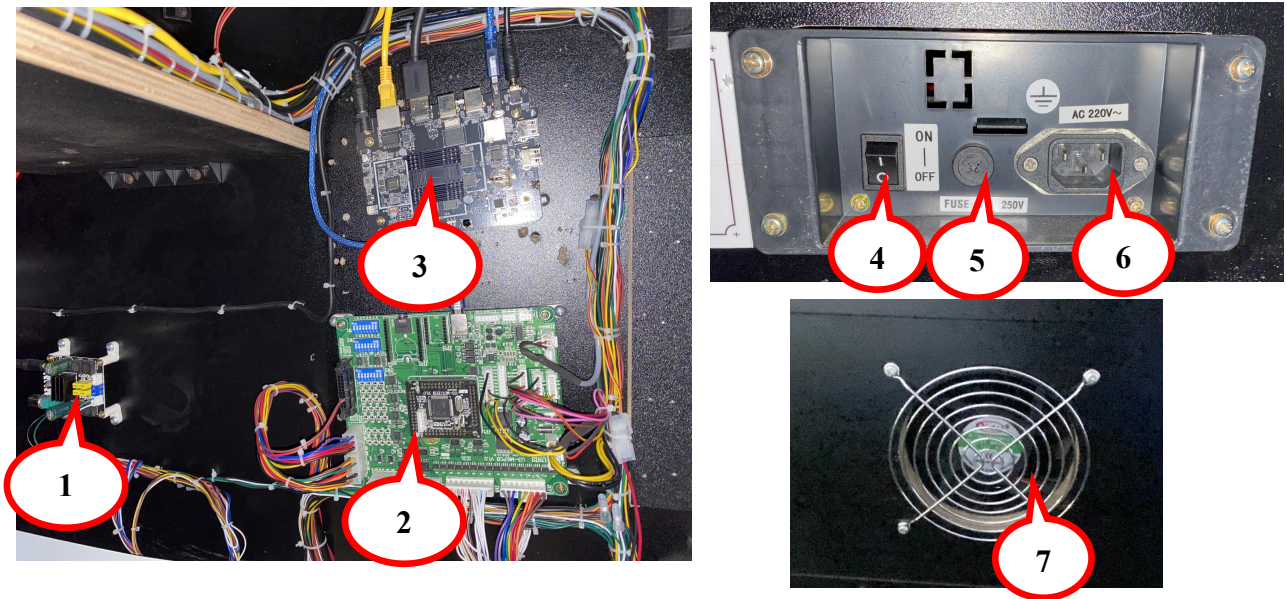
No.	Part No.	Code No.	Name	Version	Qty
1	B138-0147-00	2.20.02.015019	White light strip	V1.1	47.24in (1.2m)
2	B138-0130-00	2.20.04.000041	Spotlight	V1.1	5
3	B138-0129-00	2.20.02.020015	SK9822 light strip	V1.1	16.68in×2 (0.5m×2)
4	B138-0345-00	2.28.01.000085	Speaker	V1.1	1×2
5	B138-0403-00	2.12.01032018	32"monitor	V1.1	1×2
	B138-0407-00	2.33.07.010018	Video cable	V1.1	1×2
6	B138-0509-00	2.20.02.015021	RGB light strip	V1.1	37.00in (0.94m)
7	B138-0509-00	2.20.02.015021	RGB light strip	V1.1	37.00in (0.94m)
8	B138-0749-00	207.4.08.03.010	Button	V1.1	2×2
9	B138-0344-00	2.20.02.011002	L cabinet light strip	V1.1	49.21in (1.25m)
10	B138-0343-00	2.20.02.011005	R cabinet light strip	V1.1	49.21in (1.25m)
11	B138-0343-00	2.20.02.011005	Blue light strip	V1.1	16.68in×2 (0.5m×2)
12	B138-0941-00	297.5.1302002	Hole light	V1.1	4×2
13	B138-0942-00	207.4.13.36.101	Chain light	V1.1	1×2
14	B138-0748-00	2.20.02.011004	Ctrl panel light strip	V1.1	17.74in×2 (0.4m×2)
15	B138-0750-00	2.25.01000030	POT	V1.1	1×2
16	B138-0148-00	2.20.03.230007	5630 light	V1.1	1



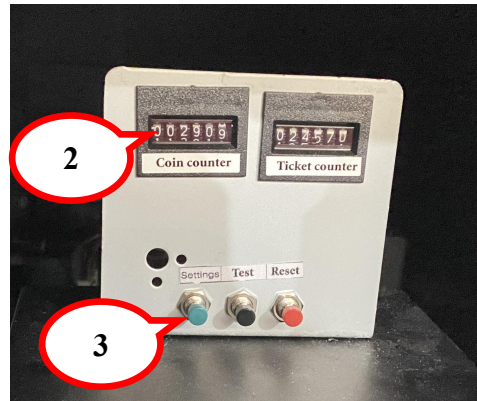
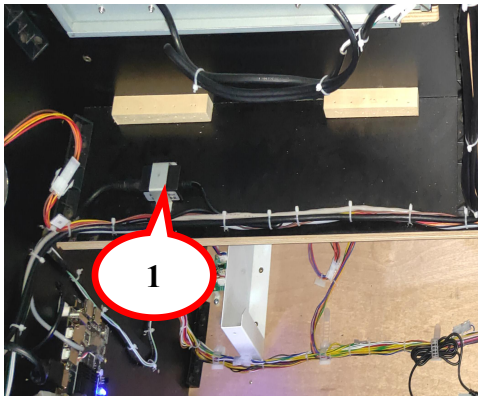
No.	Part No.	Code No.	Name	Version	Qty
1	B138-0394-00	297.9.2004001B	Main board	V1.1	1×2
2	B138-0750-00	2.25.01000030	POT	V1.1	1×2
3	B138-0380-00	297.9.0700002	Ticket convert board	V1.1	1×2
4	B138-0388-00	2.31.00000005	Ticket dispenser	V1.1	1×2



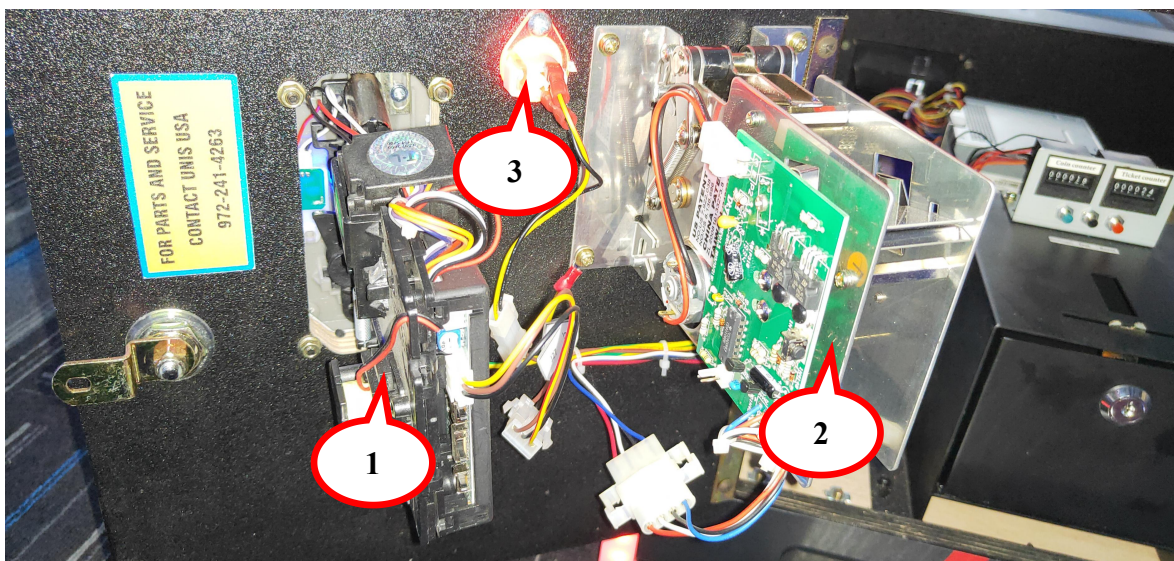
No.	Part No.	Code No.	Name	Version	Qty
1	B138-0392-00	2.16.03.020001A	Adapter	V1.1	1
2	B138-0392-00	2.16.03.020001A	Adapter	V1.1	1
3	B138-0330-00	4.13.00000008	Recovery stick	V1.1	1
4	B138-0346-00	2.16.02.000106	Power supply	V1.1	1
5	B138-0347-00	2.17.14.000148E	Fuse board	V1.1	1



No.	Part No.	Code No.	Name	Version	Qty
1	B138-0331-00	2.28.03.010011	Amplifier board	V1.1	1×2
	B138-0332-00	2.33.05.000004	Audio cable	V1.1	1×2
2	B138-0348-00	297.9.0300003	U3 mainboard	V1.2	1
	B138-0395-00	297.9.0300004	U3-MCU board	V1.2	1
3	B138-0394-00	297.9.2004001B	Main board	V1.1	1×2
	B138-0404-00	2.33.02.000014	Network cable	V1.1	1
	B138-0405-00	2.33.04.000017	Cable	V1.1	1
	B138-0494-00	2.16.03.000067	Button battery	V1.1	1×2
4	B138-0340-00	2.26.01.000005	Rocket SW	V1.1	1
5	B138-0341-00	2.19.02.000006	Fuse holder	V1.1	1
	B138-0493-00	2.19.01.000015	Fuse	V1.1	1
6	B138-0339-00	2.32.01000001A	Filter	V1.1	1
7	B138-0336-00	2.27.02.010025	Fan	V1.1	1
	B138-0337-00	2.27.02.000010	Fan net	V1.1	2



No.	Part No.	Code No.	Name	Version	Qty
1	B138-0338-00	2.28.07.000003	Audio isolator	V1.1	1×2
2	B138-0406-00	2.30.00000005	Counter	V1.1	2×2
3	B138-0333-00	2.24.02.010002	Reset button	V1.1	1×2
	B138-0334-00	2.24.02.030002	Settings button	V1.1	1×2
	B138-0335-00	2.24.02.050001	Test button	V1.1	1×2



No.	Part No.	Code No.	Name	Version	Qty
1	B138-0391-00	2.23.01000002	Coin mechanism	V1.1	1×2
2	B138-0388-00	2.31.00000005	Ticket dispenser	V1.1	1×2
	B138-0380-00	297.9.0700002	Ticket convert board	V1.1	1×2
3	B138-0389-00	2.20.03.000003	Out of ticket light	V1.1	1×2
	B138-0390-00	2.22.01.000028	Light socket	V1.1	1×2

www.unispartsandservice.com

