

Function Setting

1. Switch on machine and long press the setting key to enter the main menu

- A. General settings
- B. Sound settings
- C. Grabbing force voltage adjustment
- D. Motor speed adjustment
- E. Prize adjustment
- D. Machine testing
- G. Account management
- Save and exit
- Restoration of factory setting
- Language selection

Note: To the next item must return to the top, rocker left/right select the item to be set, rocker front/back access to selected item and select settings, press the fetch key to enter the selected setting.

Function setting

2. A General adjustment

- A1: Coin(s) to play
- A2: Playtime
- A3: Prize exit
- A4: Shakeing score clearing
- A5: Switch on machine score save
- A6: N-coins get one free coin
- A7: Position of crane after insert coins
- Return to the top

Note: Rocker front/back to select item and press the fetch key to enter the selected item.

- A1: Coin(s) to play

Allow to set 1 to 99 coins (Including free mode)

A2: Playtime

Can be set for 10-60 seconds

Gift export

It can be selected according to the actual situation of the machine (front) (rear)

A4: Shake up and divide

Optional (on) (off)

When you choose to open, the branch on the machine will be cleared when you shake the machine

A5: Save startup score

Optional (on) (off)

Whether the original score is saved when the machine is shut down and turned on again

A6: One coin for n coins

You can choose to close or 1 - 99 yuan

To send one coin for n coins means to send one coin for n coins consecutively!

A7: Position of crane after insert coins

Allow to adjust 0 to 10 seconds

Position of crane is mean after insert coins, the claw move forwards to prizes
If it is set to 0 second, the claw will not move.

B Sound setting

B1: Background music

B2: Volume

B3: Alarm sound

B1: Background music
On/Off

B2: Volume

Value 1-9

B3: Alarm sound
On/Off

C Grabbing force adjustment (this project setting is particularly important, before business must set the corresponding value)

- C1: I Force set
- C2: II Force set
- C3: III Force set
- C4: Grab height
- C5: Strong force to weak force
- C6: Descend time
- C7: Release time
- C8: Catch toy midway
- C9: Grabbing force transformation mode
- C2: Strong grabbing force adjustment (suggested value 75-80)

Rocker left/right to adjust the value

After claw grab the prize, the higher the voltage, the greater the grabbing force.

- C3: Weak grabbing force adjustment (suggested value 30-35)

Rocker left/right to adjust the value

The higher the voltage to release the prize, the stronger the grabbing force.

- C4: Grab height (0.1-10 seconds)

Starting from the moment of grabbing, the longer the time, the higher the height of the prize. It's also the time when a strong grabbing force changes to a weak grabbing force.

- C5: The way of strong force to weak force

Activate limit switch. That is, when the claw catches the prize and rise to limit switch then release it.

After strong grabbing force. That is, to decide when to release the prize according to the time set (C3 time)

- C6: Descending line length
(1 to 10 seconds)

Use time to control the height of claw falling, the longer the time, the lower the claw, adjusted according to actual needs. General settings: when the claws in the gift outlet, do not let the claw fall beyond the sensor.

Note: over the sensor can lead to win a prize by mistake.

C7: Prize releasing time

0 to 10 seconds

When the claw returns to the prize outlet, it will drop a distance and then release the prize.

C8: Catch toy midway

On/Off

If you choose "On", the claw will grab the prize by pressing the fetch key when it drops.

C9: Grabbing force transformation mode

Direct mode: when the claw retracts up, the grabbing force becomes weak immediately after the strong force is over.

Gradual mode: when the claw retracts up, the grabbing force will gradually decrease to weak after the strong force is over.

D Motor speed adjustment

D1: Front and back motor speed

D2: Left and right motor speed

D3: Upper and lower motor speed

Speed value (1 to 5)

The greater the value, the faster the speed.

D4: Top stop time

Stop time after scratch touches fretting

E Prize output adjustment

E1: The way prizes output

E2: N-times output once

E3: Strong grab times

E1: The way prizes output

Fixed

Random

Sales mode

E2: N-times putout once

Value (0-99)

This value is prize output times

E3: Strong grab times

In sales mode, if reach the value you set is not yet won, could set the free game times until win.

F Machine testing

F1: Automatic testing

F2: Front & back, Left and right testing

F3: Up-and-down testing

F4: Grabbing force testing

F1: Automatic testing

When this option is selected, the trolley will move automatically.

F2: Front & back, Left and right testing

When this option is selected, the trolley will move to the specified direction with rocker control.

F3: Up-and-down testing

When this option is selected, the claw will move to the specified direction with rocker control.

F4: Grabbing force testing

When this option is selected, could choose strong or weak grabbing force with rocker control.

G Account management

Total income

Total number of coins

Total cost

Total output prizes

Total numbers of coins for this round

The total number of coins since last cleared

Total output prizes for the round

Machine error description

Error code	Error cause	Debugging
Error No.10	Trolley Homing faulty	Check the limit switch and circuit
Error No.11	Claw down faulty	Check the limit switch and circuit
Error No.12	Claw pull faulty	Check the limit switch and

		circuit
Error No.20	Machine shake	Whether the machine is horizontal or not, is the balancer touching by mistake
Error No.21	Sensor faulty	Whether the sensor is not connected or has been covered(The light on if normalcy)

Before plugging in and starting up

please cut off the white tie

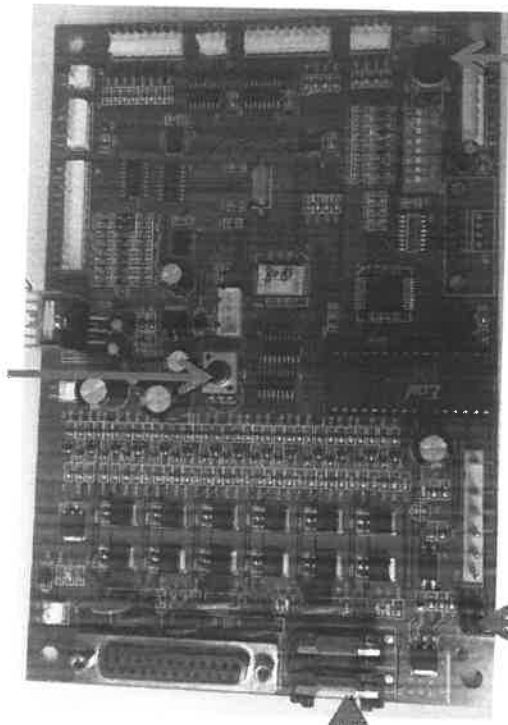
on the trolley and claws.

Claw down faulty.

Please open the front lid of the trolley.

And check if the red rope is going clockwise.

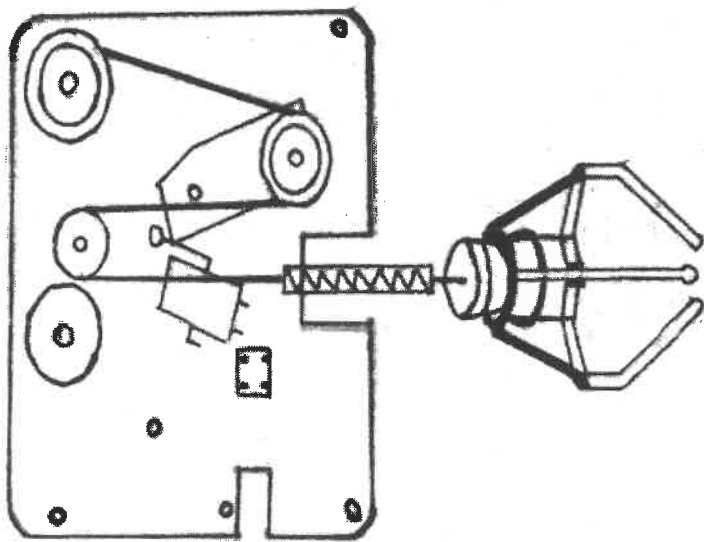
(Sound adjustment)



LCDcladjustment

Trolley motor voltage adjustment and claw coil voltage adjustment

protective tube



Normal lights on, inductive gift lights off or flickering



Induction indicator light

Sensor adjusting knob