



NO. 202206004A

TABLE OF CONTENTS

一、 Description of Product.....	1
二、 How to play.....	1
三、 Instructions of Light Box Installation	2
四、 Machine structure.....	3
1、 Main structure and basic parameters.....	3
2、 Structural installation drawing.....	3
3、 Turntable clip.....	4
4、 How to Change/Add Gifts.....	4
5、 Lighting Part.....	5
五、 Background settings instructions.....	6
1、 Param Set.....	7
2、 Total Acc.....	7
3、 Clear Acc.....	7
4、 Hardware Test.....	8
4. 1 、 Input Test.....	8
4. 2 、 Auto Test.....	8
4. 3 、 Manual Test.....	9
4. 4 、 Clip Test.....	9
5、 Gift Set.....	9
5. 1 、 Gift Value.....	9
5. 2 、 Clip Type Set.....	10
6、 Gift Total.....	10
六、 Code,Reason and Solution of Error.....	11
七、 Motherboard Pinout.....	13

一、Description of Product



二、How to play

Game Instructions:

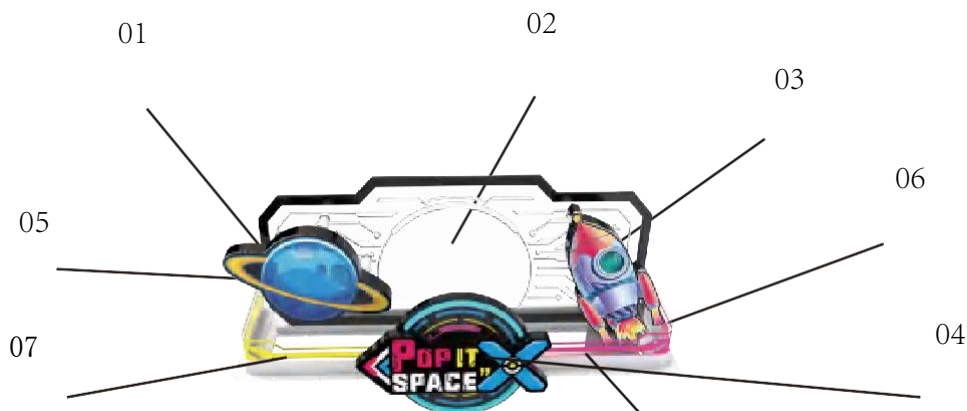
- 1、Insert coins, the gift tray starts to rotate.
- 2、Aiming at the arrow and clip position.
- 3、Press the start button, the arrow pokes the clip to win the prize.

Game Instructions

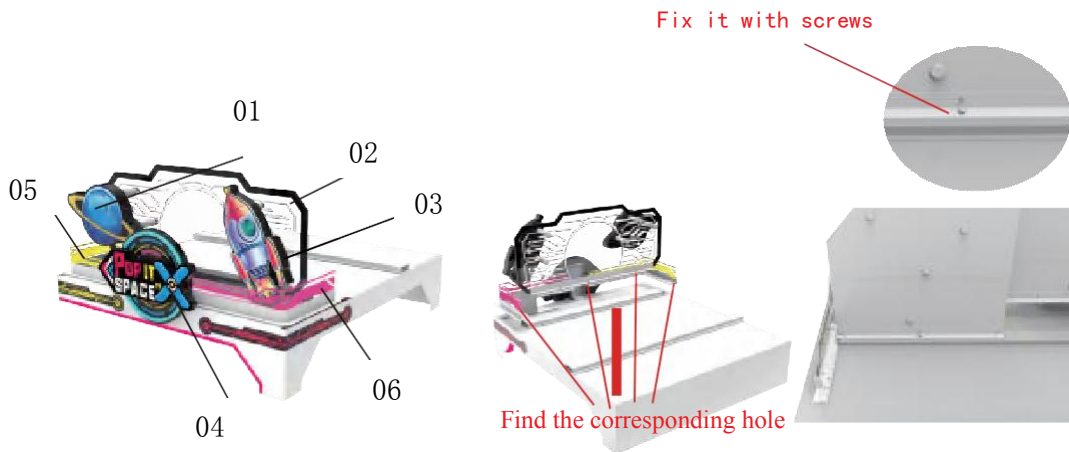


三、 Instructions of Light Box Installation

Step 1, open the packing and find the specified number on the top of the head, 01-left light box, 02-transparent acrylic, 03-right light box, 04-Front sign advertising word, 05-left acrylic, 06-right acrylic,



Step 2: Place No. 01-06 on the top of the machine according to the numbering sequence, find the corresponding hole and fix it with screws



Step 3: Find and link the connection between the power interface of the light box and the interface placed on the top of the head, and fix the light wire with a cable tie.

四、Machine structure

1、 Main structure and basic parameters:

- 1, Size: W760* D848* H2101mm (253mm overhead) (single seat)
- 2, Material: Hardware, Power: 200W, Voltage: 220V
- 3, Top is the upper and lower structure of the slide rail
- 4, Rotating center disc with 56 clips



2、 Structural installation drawing:

- 1, Inside the front door: Open the front door, and you can see the structure inside:

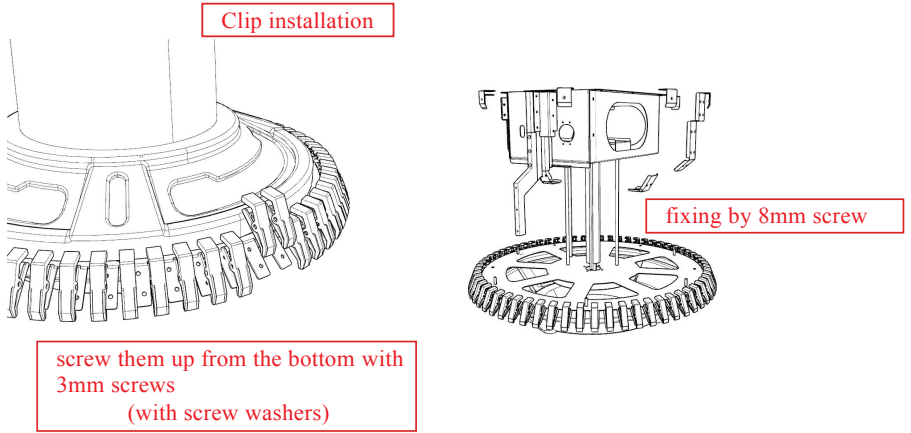


Open the front door



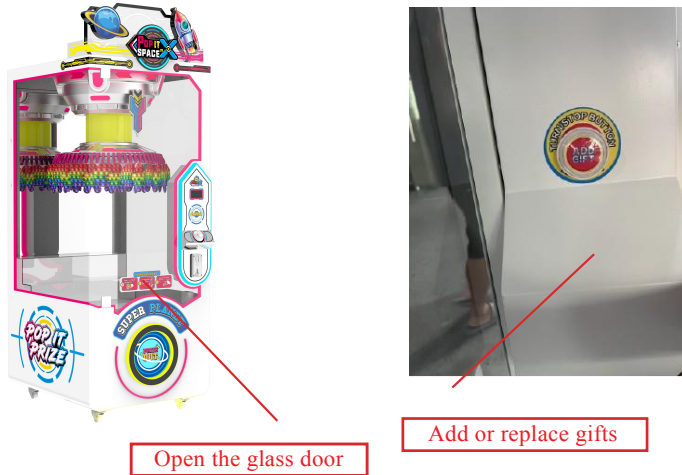
Background settings

3、Turntable clip:



4、How to Change/Add Gifts:

1、Rotate/Stop Button: Open the glass door, there is a replenishment button inside, which is used to replace and replenish gifts.



2、There are red and purple clips on the turntable. The red clip holds the small prize gift (the value should preferably not exceed half the price of one coin operation), and the purple clip holds the grand prize gift (the value should preferably not exceed one coin operation)

3、Attention: When clipping gifts, it is best to place the gifts diagonally, and only clip one corner, so as not to affect other clips.



4、 When the gifts on the turntable are less than half, you should add gifts immediately (the more gifts on the turntable, more attractive).Open glass door rotate/stop button (for adding or replacing gifts)

5、 Lighting Part:

- 1, The top of the chassis: there are 2 pattern light boxes on the top, and the back panel of the light box is surrounded by a gradient light bar.
- 2, Chassis gift outlet: The outer ring is equipped with circular advertising words, and the outer ring is surrounded by half a pink light strip.
- 3, The console part of the chassis: a white circle is installed on the outside.
- 4, A red light bar is installed in the turntable blister, which is installed on the hardware in the blister
- 5, Inside the case: a circle of white inside



五、 Background settings instructions



Background Set

Press the "OK" key to enter the background setting main menu.

press the "Up" key to move the square icon to the square icon to select the item that needs to be viewed and adjusted.

press the "OK" key to enter the item that needs to be viewed and adjusted, and the adjustment is complete.

Then press the "Exit" key to return to the menu page until exit the background setting.



Menu
Param set
Total acc
Clear acc
Hardware test
Gift set
Gift total

1、Param Settings

```
Param set
◆ Need coid 2
Music switch 1
Sound size 20
```

```
Param set
Language 1
Game time 10
◆ Game Mode 0
```

Press the "up" key and "down" key to select parameter adjustment, and continue to press the "OK" key to confirm and enter the parameter setting.

Param set	
Need coid	0, 1, 2, 3, 4, 5, 6, 7, 8, 9, 10, 20, 30, 40, 50, 60, 70, 80, 90, 100, 200, 300, 400, 500, 600, 700, 800, 900, 1000
Music switch	0=off, 1=on
Sound size	0, 1, 2, 3, 4, 5, 6, 7, 8, 9, 10, 11, 12, 13, 14, 15, 16, 17, 18, 19, 20, 21, 22, 23, 24, 25
Language	0=Chinese, 1=English
Game time	5, 10, 15, 20, 25, 30, 35, 40, 45, 50, 55, 60
Game Model	0, 1, 2

Press the "up" key and "down" key to select the parameter to be adjusted in the parameter setting, press the "OK" key to enter the parameter to be adjusted, press the "up" key and "down" key to adjust the parameter, and press the "exit" key to exit this parameter adjustment when the adjustment is completed.

2、Total acc

```
Coins 549
Gift 10
```

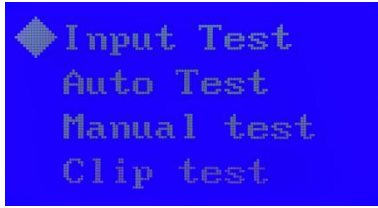
Function: Query the total number of coins, gifts and the blind boxes

3、Clear Acc

```
Clear acc
◆ YES
NO
```

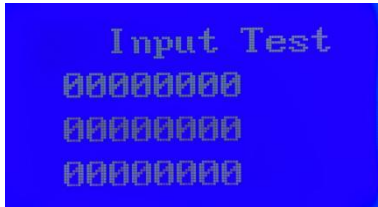
Function: Clear the accumulated number of coins, gifts and the blind boxes.

4、 Hardware Test



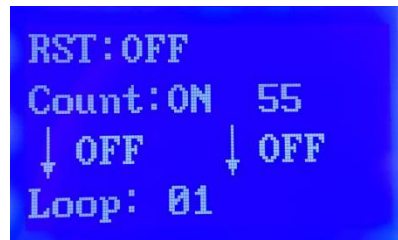
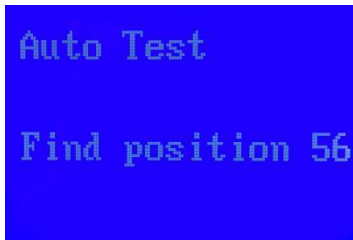
Function: light eye, button and motor test of the machine.

4.1、 Input Test



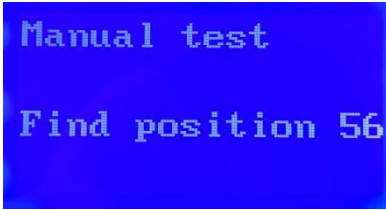
Function: Test whether the button has signal input, press and hold the button to be tested, and see if the corresponding number 0 jumps into 1. If there is, it means that the function of the button is normal, if not, it means that the function of the button is abnormal.

4.2、 Auto Test



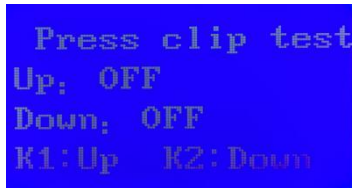
Function: Automatic test to see if the pressure rod can accurately press each clip.

4.3、Manual Test



Function: Manual test to see if the pressure rod can accurately press the clamp, and adjust the accuracy of the clamp. Press the "up" key to drive the upper and lower motors to move on the net, press the "up" key to drive the upper and lower motors to move down, and press the "OK" key to rotate to the next clip.

4.4、Clip Test



Function: Manually test the pressure rod motor, and adjust the distance of the stroke of the pressure rod.

5、Gift Setup



5.1、Gift Value



Function: Adjust the value of the blind box gift, as well as the gift value of gifts 1 to 9 different value of gifts types.

5.2、Clip Type Set

Function: Set the gift type of clips 1 to

```
Clip type set
◆ Clip01 Gift01
  Clip02 Gift01
  Clip03 Gift01
```

```
Clip type set
Clip01◆ Gift03
  Clip02 Gift01
  Clip03 Gift01
```

Press the "up" and "down" keys to select the clip to be adjusted, press the "OK" key to enter the clip, and continue to press the "up" and "down" keys to adjust the gift type to be set. After adjusting a clip, you need to click to "exit" and save. The settings from 1 to 56 need to be set according to the above process.

6、Gift Total

```
Gift Total
◆ 1 Gift Total 151
  1 Gift Remai 51
  2 Gift Total 0
```

Function: Query the total number and remainder of the set clip types, check the total remainder of the blind box, and the total remainder of gifts 1 to 9.

六、Code, Reason and Solution of Error

Error code	The reason of problem	Solution
Coin-operated light eye failure (E02)	The light eye of the coin acceptor is normally open and normally closed.	The light eye of the coin acceptor is set back to normally open
	Damaged coin acceptor	Replacing the coin acceptor
Gift light eye failure (E04)	Gift light eyes are blocked by foreign objects	Check whether the gift light eye is blocked by foreign objects
	Damaged gift light eye	Replace gift light eye
Gift motor current is too large (E09)	The gift motor rotates abnormally	Check whether the gift motor is stuck by foreign objects
Reset light eye failure (E10)	Reset light eye damage	Replace the reset light eye
	The reset light eye signal line is loose	Check whether the reset light eye signal line is loose
	The signal wire of the gift motor is loose	Check whether the gift motor signal wire is loose
	Damaged gift motor	Replace gift motor
	Damaged motherboard	Replace the motherboard
Code wheel light eye failure (E11)	The encoder wheel light eye is damaged	Replacing the encoder wheel light eye
	The encoder wheel light eye signal line is loose	Check whether the light eye signal line of the encoder wheel is loose
	The upper and lower motor signal wires are loose	Check whether the upper and lower motor signal wires are loose
	The upper and lower motors are damaged	Replace the upper and lower motors
	Damaged motherboard	Replace the motherboard
Upward light eye failure (E12)	Upward light eye damage	Replace the upward light
	The signal line of the upward light eye is loose	Check whether the upward light eye signal line is loose
	The signal wire of the gift motor is loose	Check whether the gift motor signal wire is loose
	Damaged gift motor	Replace gift motor
	Damaged motherboard	Replace the motherboard
Downward light eye failure (E13)	Downward light damage	Replace Downward light
	Downward light eyes are loose	Check whether the signal line of the Downward light eye is loose
	Downward motor signal wire is loose	Check whether the down motor signal wire is loose
	Downward motor damaged	Replace down motor
	Damaged motherboard	Replace the motherboard

Blind box 01 light eye failure (E15)	Blind box 01 motor is not reset to the position of the light eye	Enter the blind box test function to reset the blind box 01 motor
	Blind box 01 light eye damage	Replace the blind box 01 light eye
	Blind box 01 light eye signal line loose	Check whether the signal line of the blind box 01 light eye is loose
Blind box 02 light eye failure (E16)	Blind box 02 motor is not reset to the position of the light eye	Enter the blind box test function to reset the blind box 02 motor
	Blind box 02 light eye damage	Replace the blind box 02 light eye
	Blind box 02 light eye signal line loose	Check whether the signal line of the blind box 02 light eye is loose
Blind box gift not detected (E17)	Blind box motor damaged	Replacing the blind box motor
	Blind box motor signal wire is loose	Check whether the blind box motor signal wire is loose
	Insufficient gifts in blind boxes	Complementary Blind Box Gifts
	Damaged gift light eyes	Replace gift light eyes
Blind box missing goods (E18)	Insufficient gifts in blind boxes	Complementary Blind Box Gifts

七、Motherboard Pinout

Seat number	Location	Label	application
J10	1	GND	Application
	2	VDD	12/24 Volt
	3	GND	Ground wire
	4	12V	12 volts
J12	1	SW1	Set up key
	2	SW2	Set the down key
	3	SW3	Set OK key
	4	SW4	Set exit key
	5	GND	Ground wire
J4	1	GND	Android board
	2	RXD1	
	3	TXD1	
	4	5V	
	5	12V	
J11	1	1M+	Turntable Motor+
	2	1M-	Turntable Motor-
J15	1	2M+	Clamp Motor+
	2	2M-	Clamp Motor-
J16	1	3M+	Blind Box Motor1
	2	3M-	Blind Box Motor2
J6	1	B	Null
	2	G	Null
	3	R	Null
	4	12V	Blind Box Motor Power Supply
J14	1	Trumpet+	Trumpet
	2	Trumpet-	
J3	1	Trumpet+	
	2	Trumpet-	
J1	1	GND	Ground wire
	2	IN10	Replenishment key
	3	GND	Ground wire
	4	IN9	Blind box photo eyes 2
	5	GND	Ground wire
	6	IN8	Blind box photo eyes 1

	7	IN6	Code wheel light
	8	IN7	Start signal
	9	IN4	Downlight
	10	IN5	Reset photo eyes
	11	IN2	Return gift light eye
	12	IN3	Glazing
	13	12V	12 volts
	14	IN1	Coin signal
	15	12V	Coin acceptor 12 volts
	16	TGND	Coin-operated ground wire
	17	12V	12 volts
	18	SSR2	Button light
	19	5V	5 volts
	20	SSR1	Null
	21	5V	Null
	22	MB2	Refund code table
	23	5V	Null
	24	MB1	Coin-operated computer
J9	1	GND	Small LCD
	2	LEDA	
	3	VEE	
	4	RST	
	5	EN	
	6	RW	
	7	RS	
	8	VO	
	9	5V	
	10	GND	