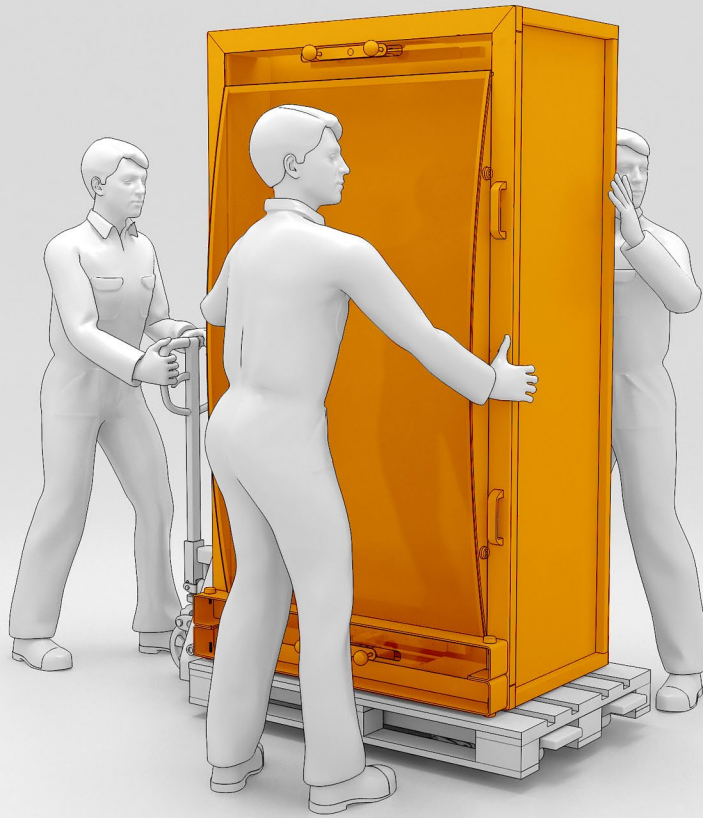




## Let's Goal!

---

Assembly instruction.

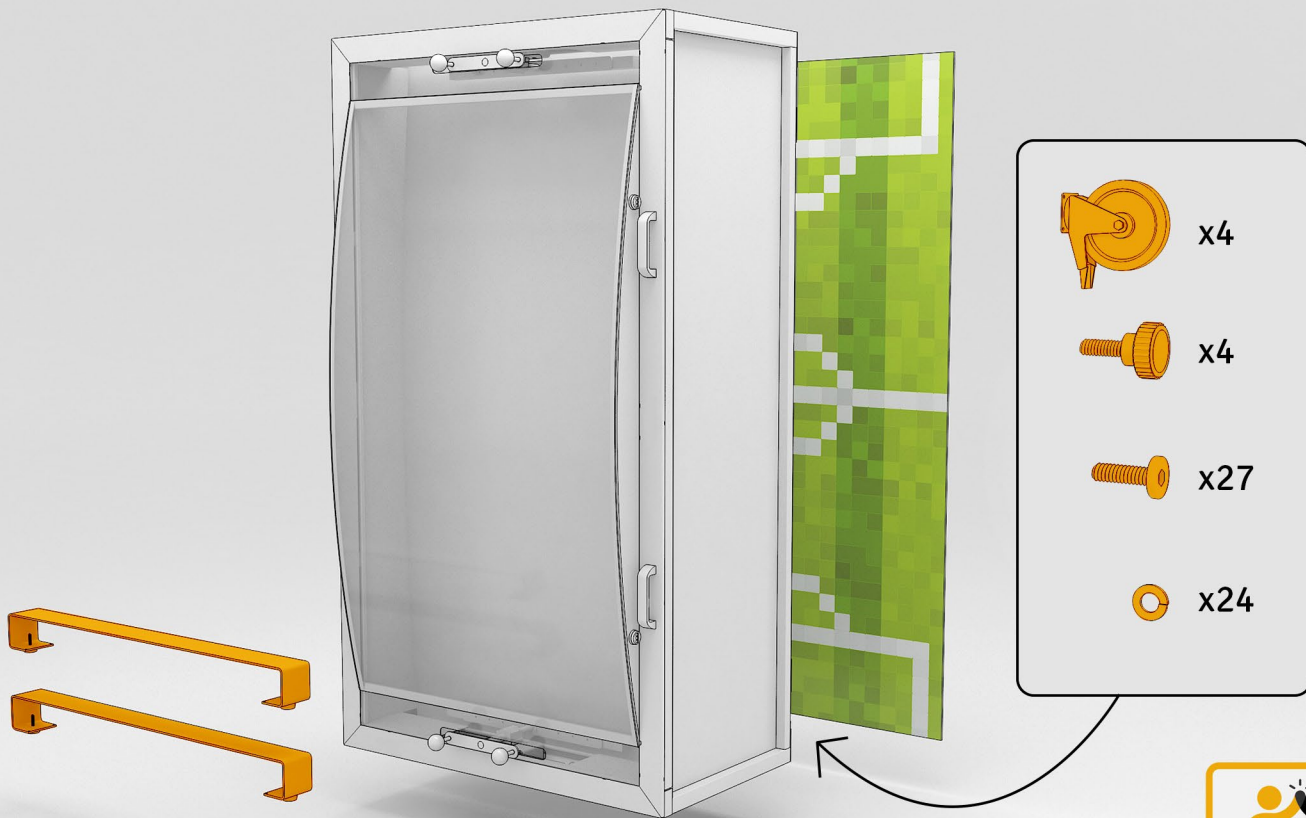


Ritter



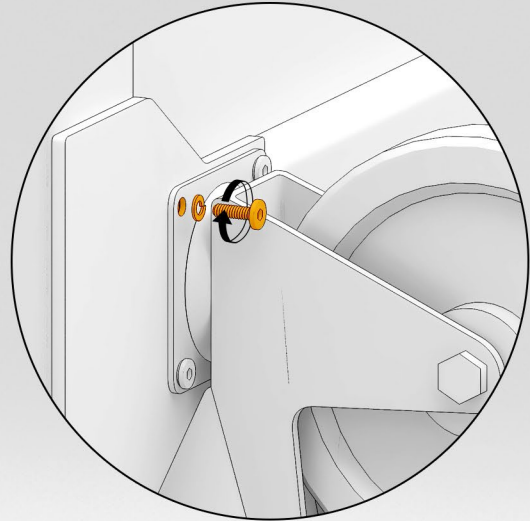
# 01 The necessary parts needed for assembly are located near the machine.

Let's Goal! - Assembly instruction.



## 02 Screw the wheels when the machine is in the vertical position.

Let's Goal! - Assembly instruction.



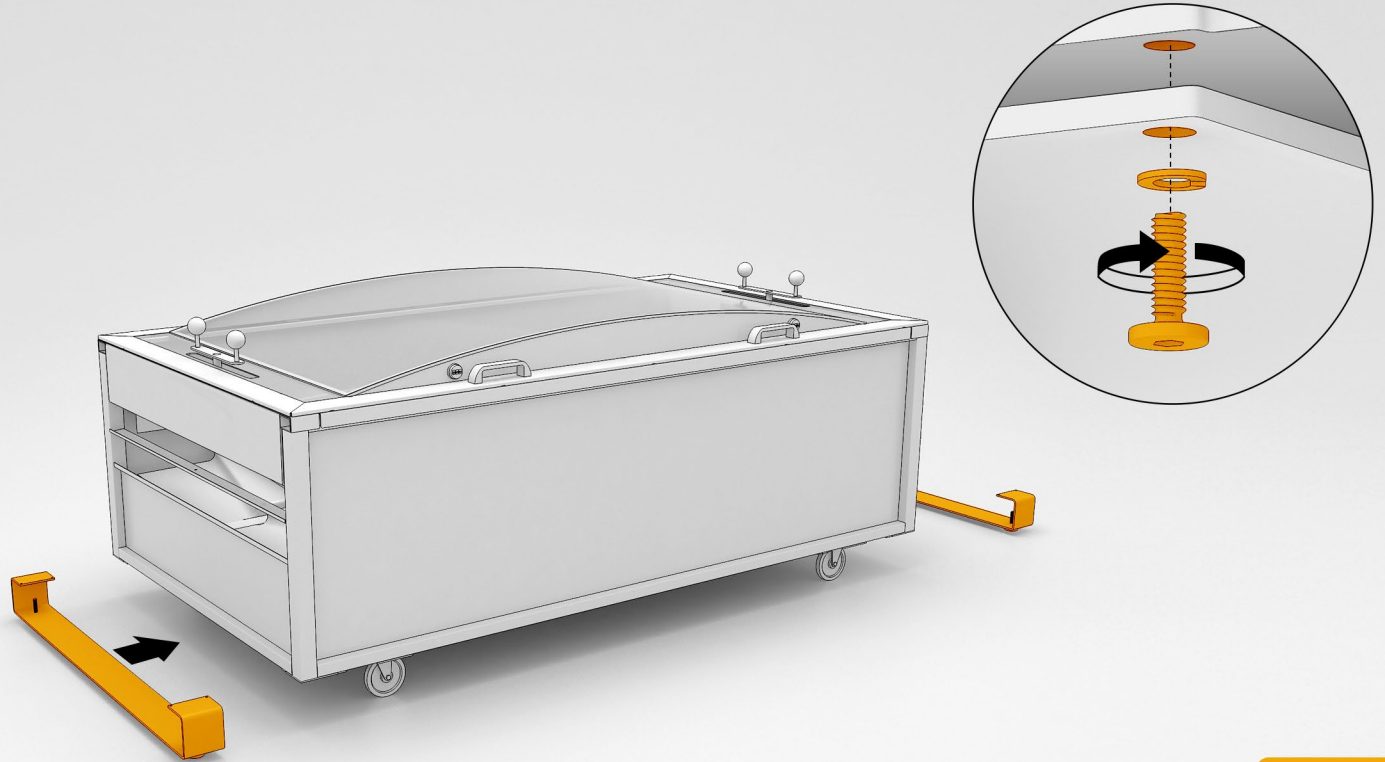
**03** Turn the device to a horizontal position and place it in the target location.

Let's Goal! - Assembly instruction.



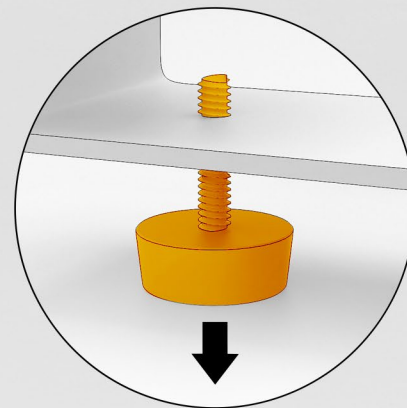
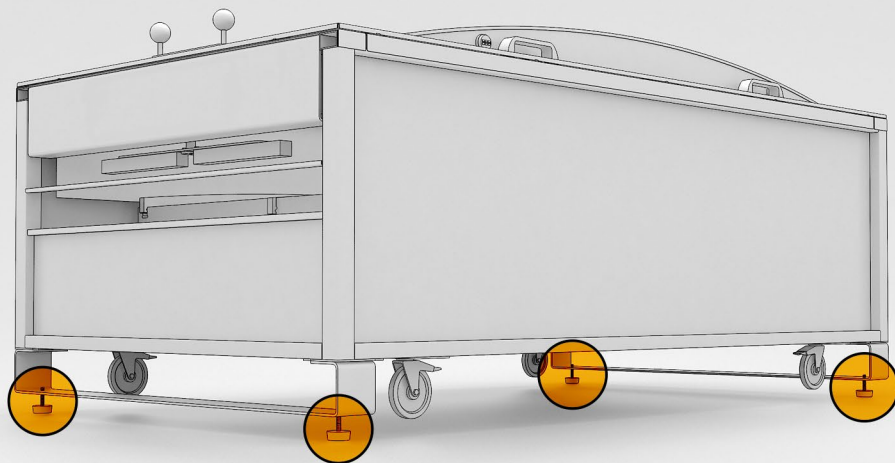
# 04 Screw the metal legs into the destined places.

Let's Goal! - Assembly instruction.



## 05 Adjust the rubber feet so that the wheels do not touch the ground.

Let's Goal! - Assembly instruction.



### ATTENTION

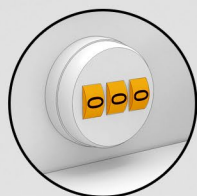


After setting the machine on rubber feet, we can remove the wheels to make the machine look more attractive.

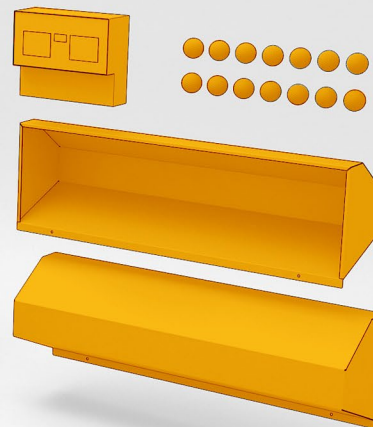
06

# Open the lid with the code 000.

Let's Goal! - Assembly instruction.



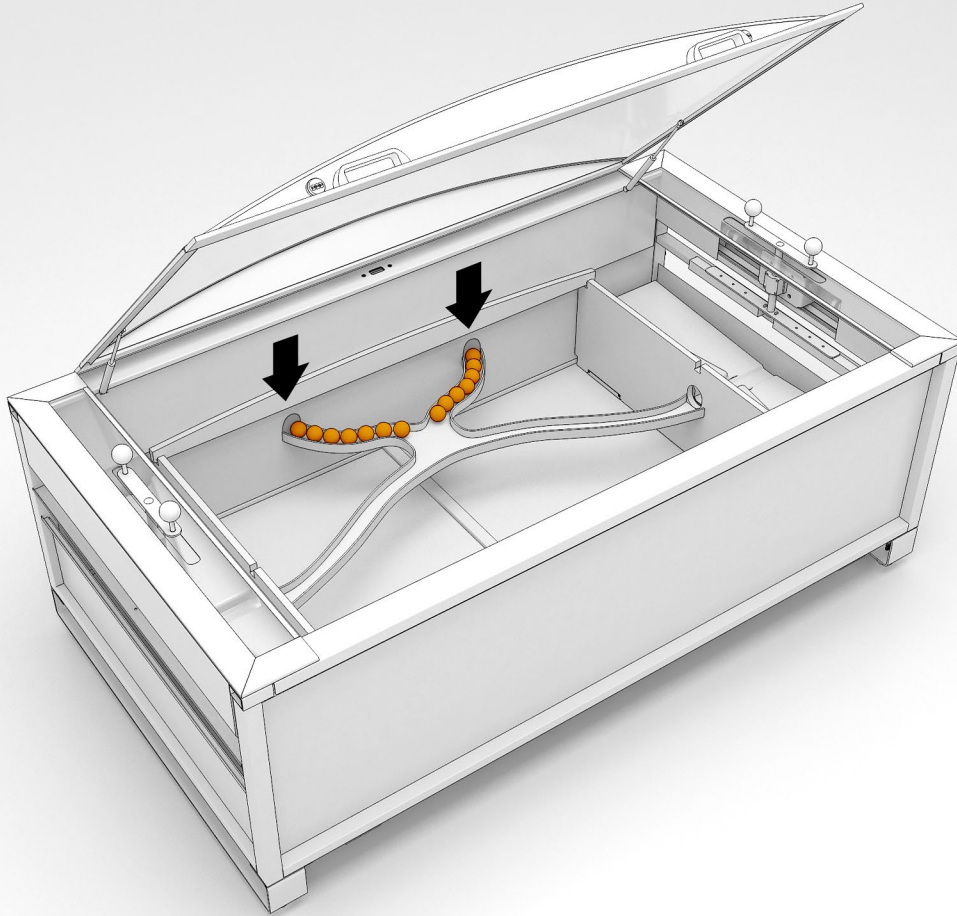
The other necessary parts needed for assembly are located under the cover.





## 07 Place 7 balls for each side.

Let's Goal! - Assembly instruction.

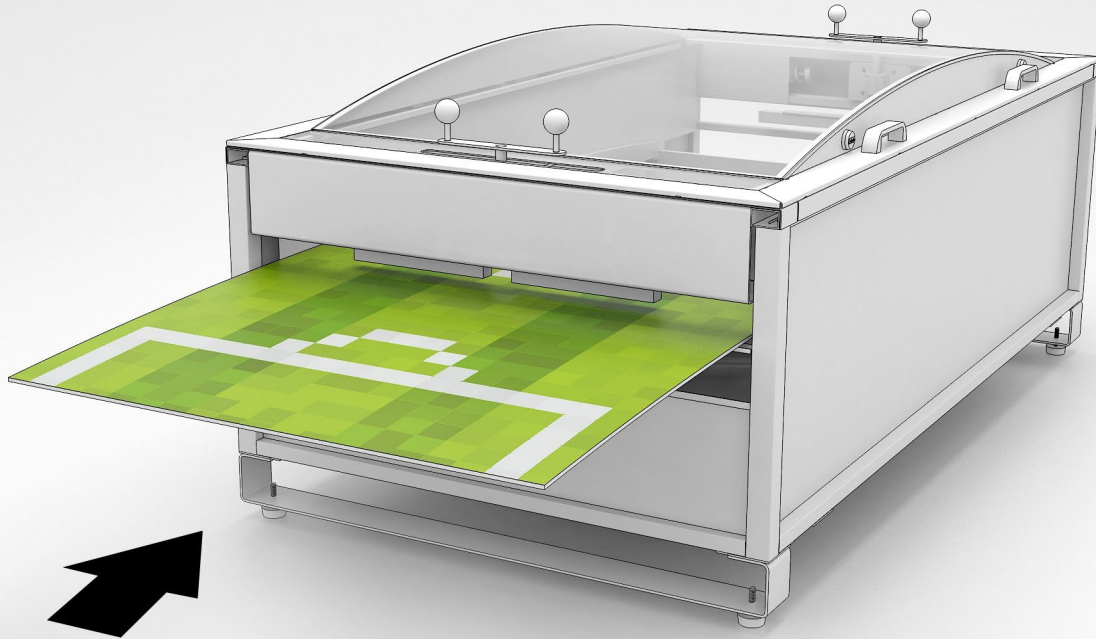


Ritter



## 08 Insert the top.

Let's Goal! - Assembly instruction.

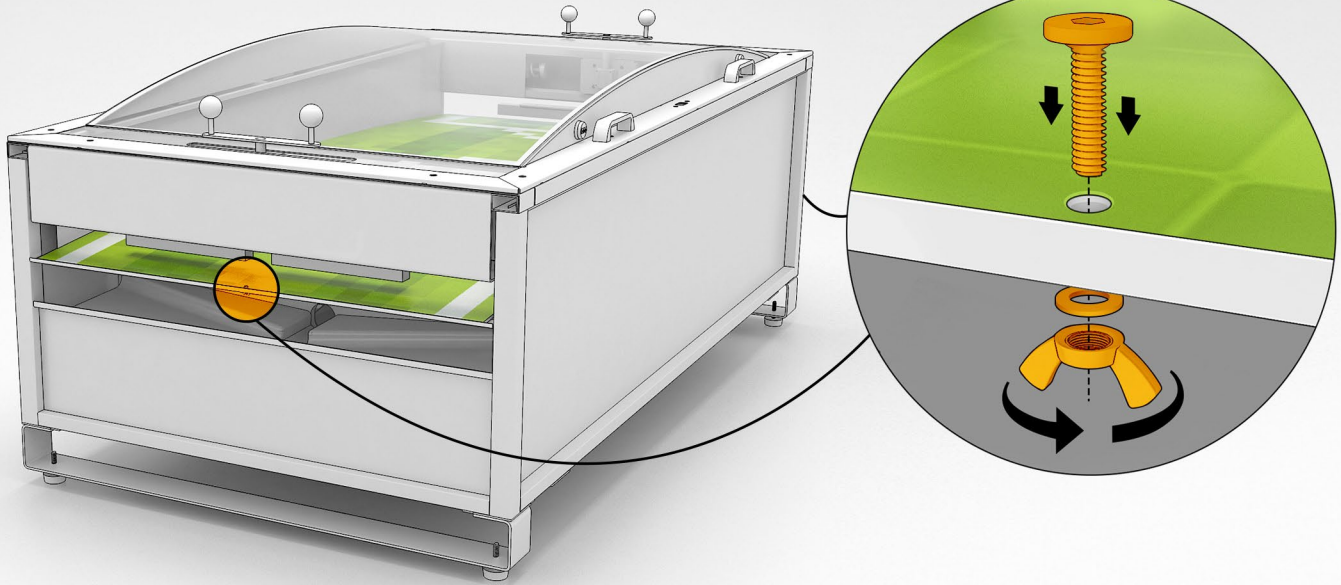


Ritter



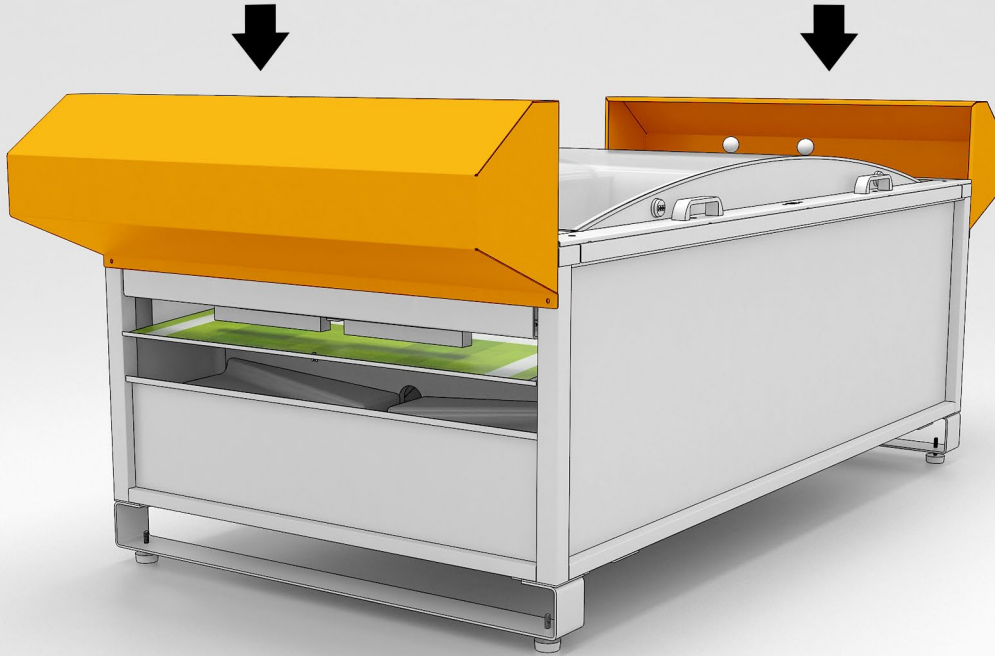
## 09 Screw the screws on both sides.

Let's Goal! - Assembly instruction.



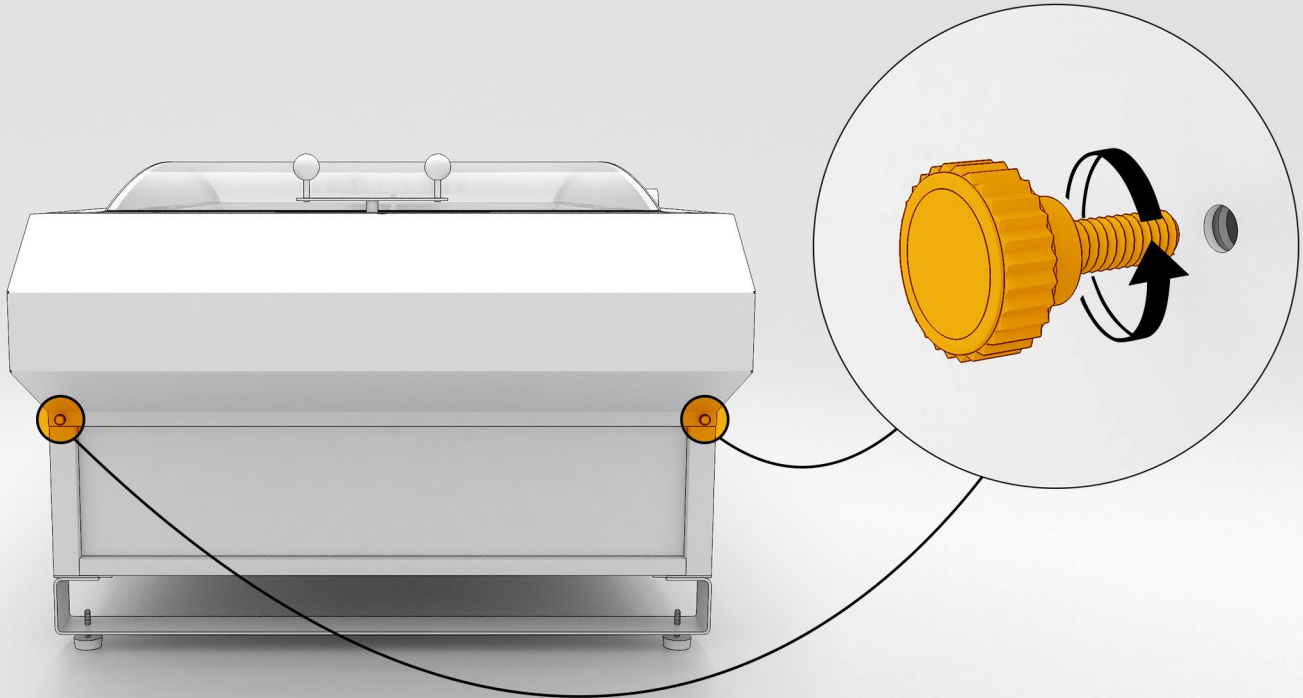
## 10 Insert the metal shelves on both sides.

Let's Goal! - Assembly instruction.



# 11 Screw the metal shelves on both sides.

Let's Goal! - Assembly instruction.

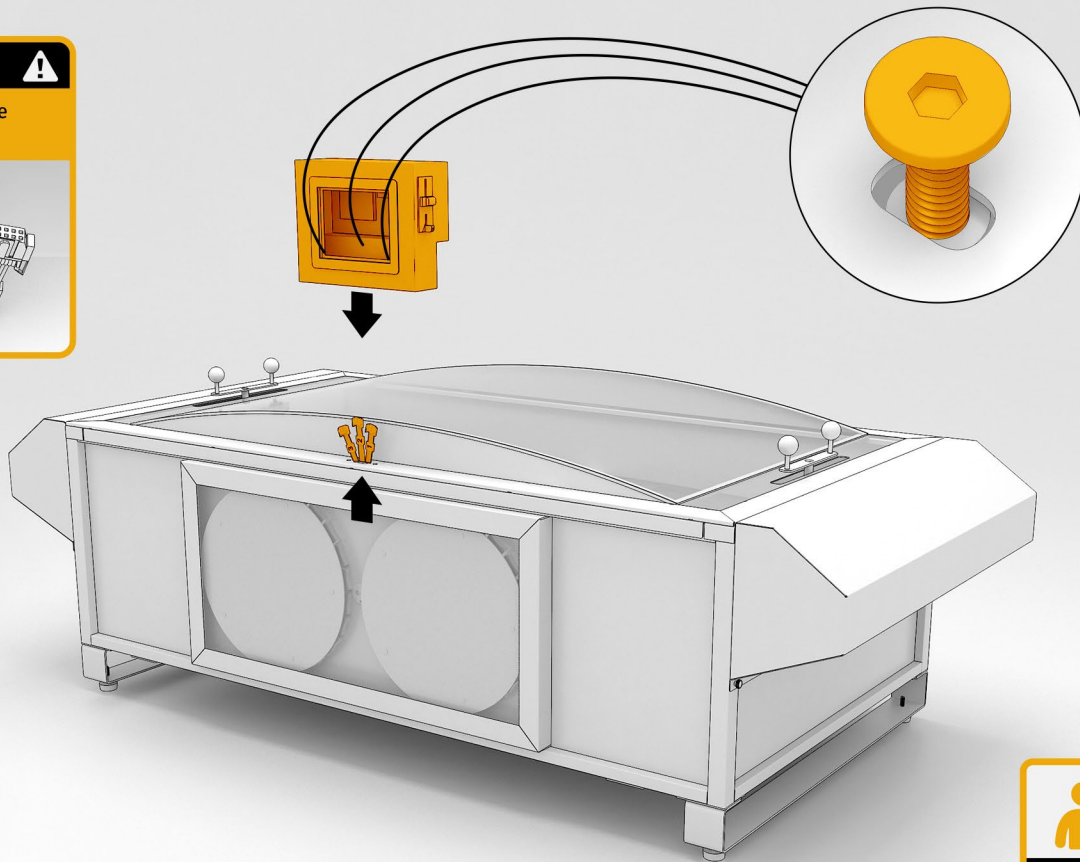


## 12 Mount the cassette / displays with three screws.

Let's Goal! - Assembly instruction.

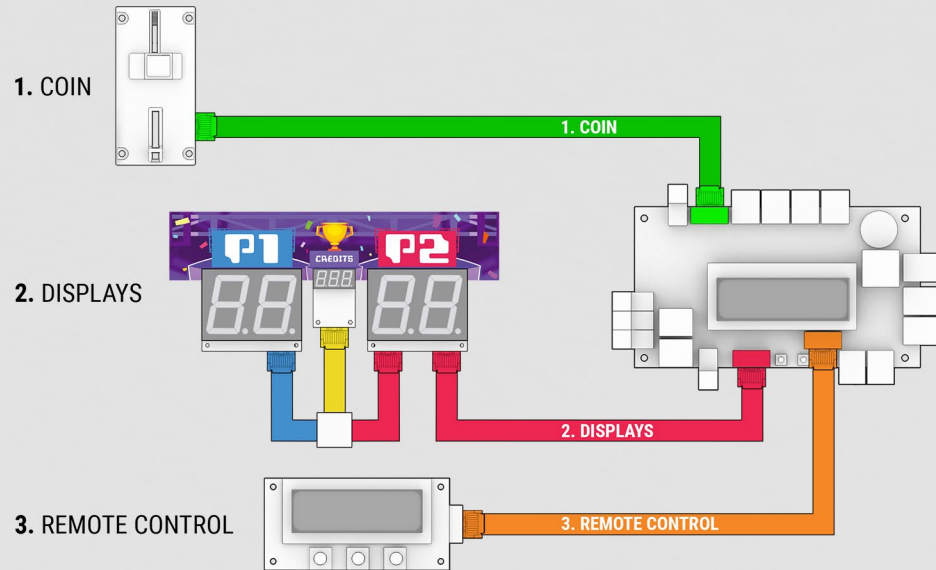
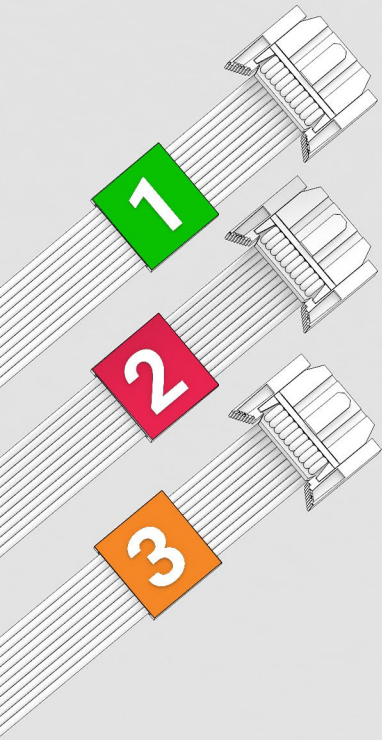
**ATTENTION** 

Carefully put inside the tape (cable).



# Connect the tapes.

Let's Goal! - Assembly instruction.



## 14 The machine is ready for use - Let's Goal!

Let's Goal! - Assembly instruction.

